

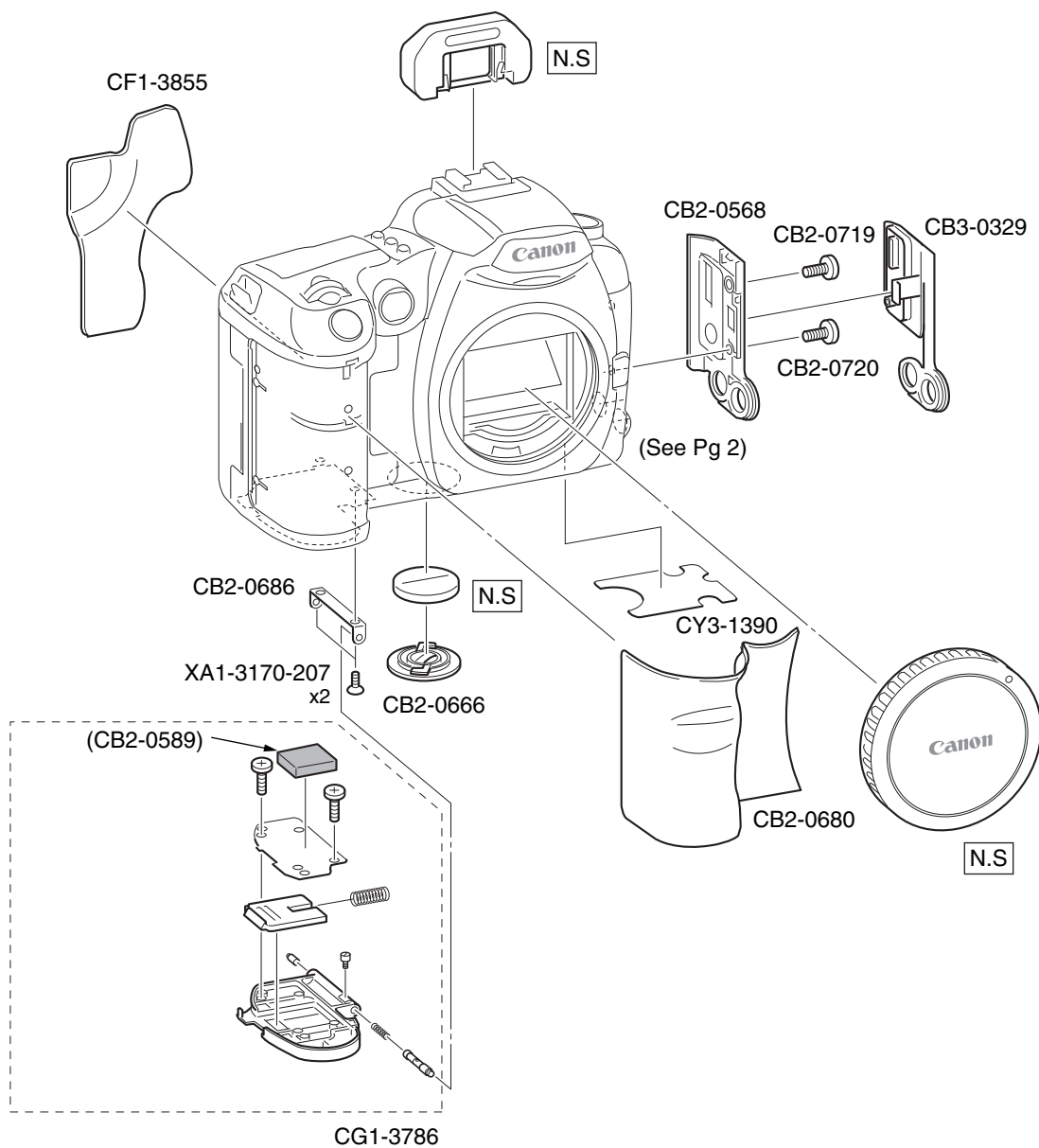
Canon

EOS-D60

REF.NO.C12-6011

**PARTS
CATALOG**

CANON DIGITAL CAMERA EOS D60

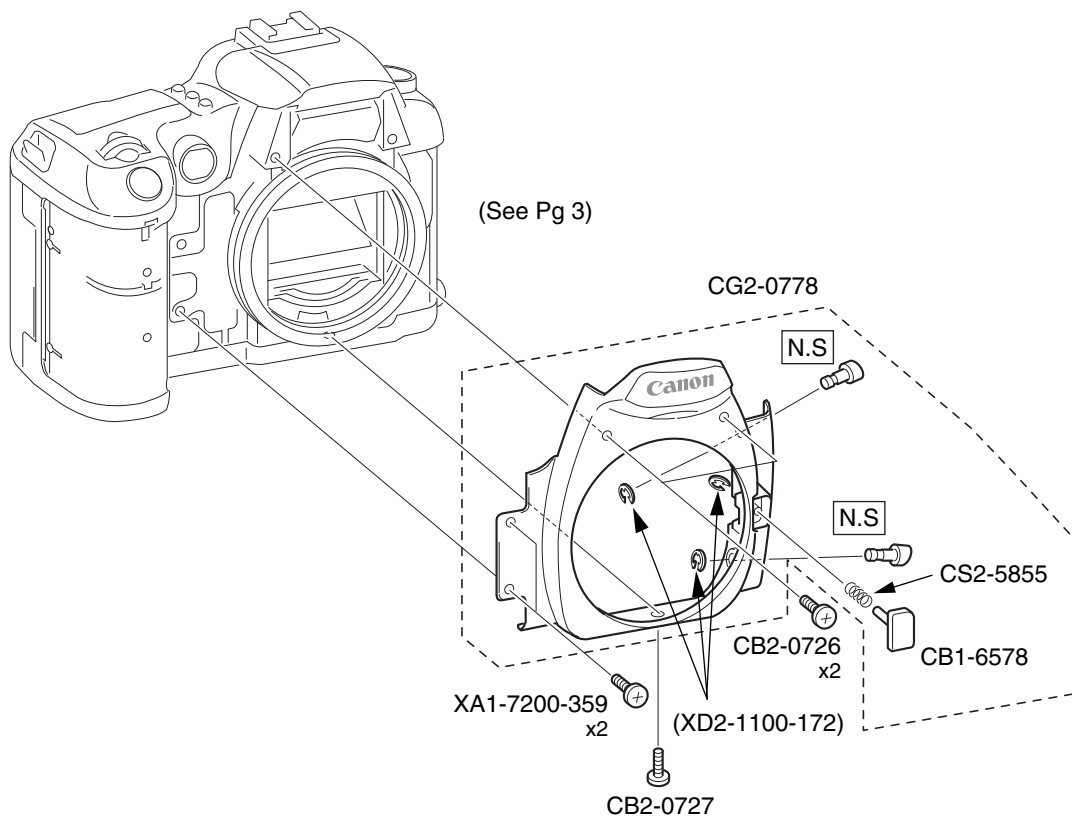


PARTSLIST

REF.NO. C12-6011

NEW	PARTS No	CLASS	QTY	DESCRIPTION
	CB2-0568-000	C	1	COVER, DIGITAL TERMINAL
	CB2-0589-000	C	1	CUSHION
	CB2-0666-000	C	1	COVER, DATE BATTERY
	CB2-0680-000	B	1	RUBBER, GRIP
	CB2-0686-000	C	1	HINGE, B-DOOR
	CB2-0719-000	C	1	SCREW M17X5.5
	CB2-0720-000	C	1	SCREW M17X6
*	CB3-0329-000	B	1	CAP, DIGITAL TERMINAL
	CF1-3855-000	B	1	RUBBER, BACK
	CG1-3786-000	B	1	DOOR ASS'Y, MAIN BATTERY
*	CY3-1390-000	B	1	PLATE, NAME
	XA1-3170-207	F	2	SCREW M17X2

CANON DIGITAL CAMERA EOS D60

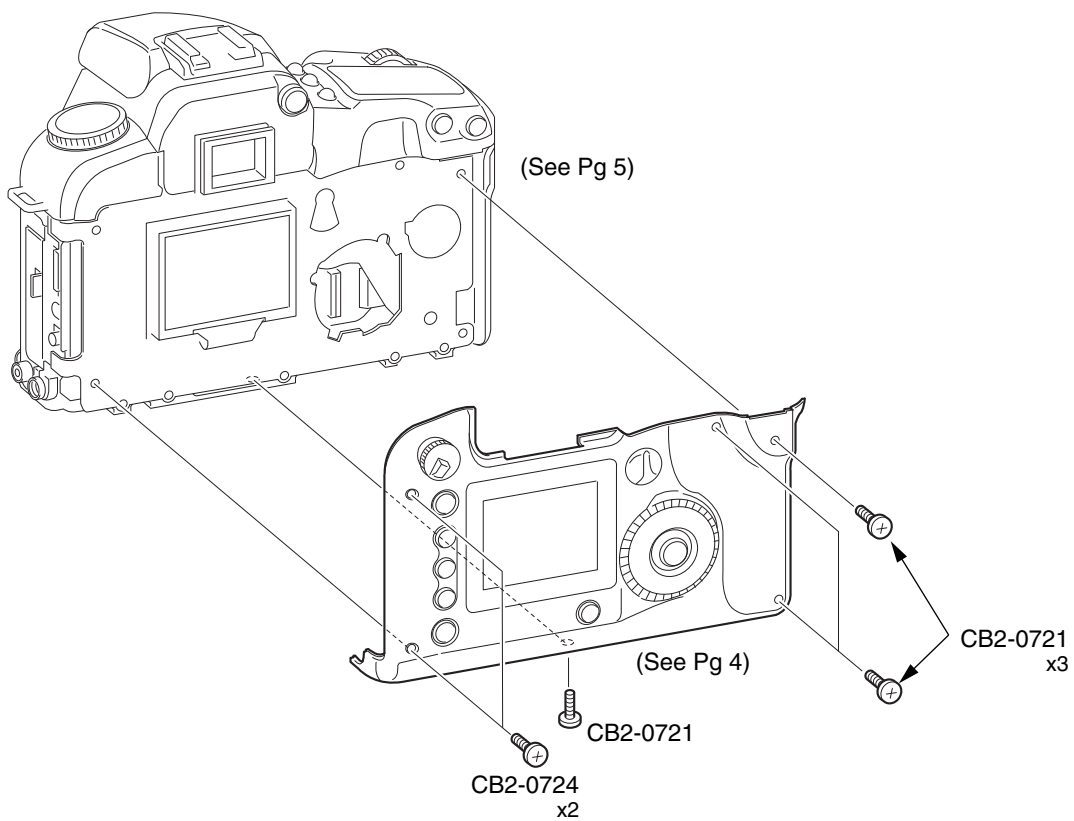


PARTSLIST

REF.NO. C12-6011

NEW	PARTS No	CLASS	QTY	DESCRIPTION
	CB1-6578-000	C	1	BUTTON, UNLOCK
	CB2-0726-000	C	2	SCREW M17X5.5
	CB2-0727-000	C	1	SCREW M17X4.5
*	CG2-0778-000	B	1	COVER ASS'Y, FRONT
	CS2-5855-000	E	1	SPRING, UNLOCK BUTTON
	XA1-7200-359	F	2	SCREW M2X3.5
	XD2-1100-172	F	2	E RING

CANON DIGITAL CAMERA EOS D60

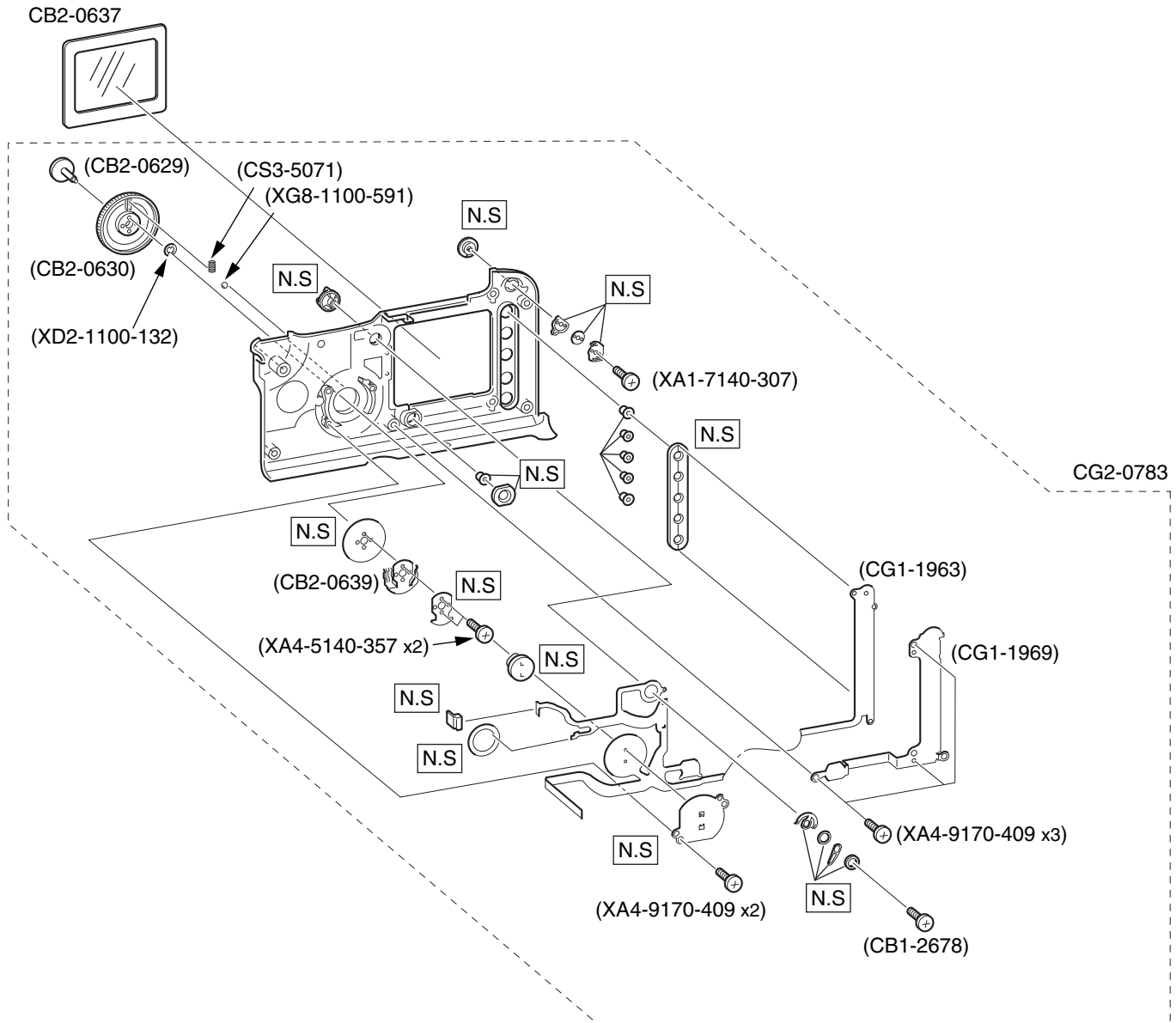


PARTSLIST

REF.NO. C12-6011

NEW	PARTS No	CLASS	QTY	DESCRIPTION
	CB2-0721-000	C	4	SCREW M17X2.5
	CB2-0724-000	C	2	SCREW M17X4.5

CANON DIGITAL CAMERA EOS D60

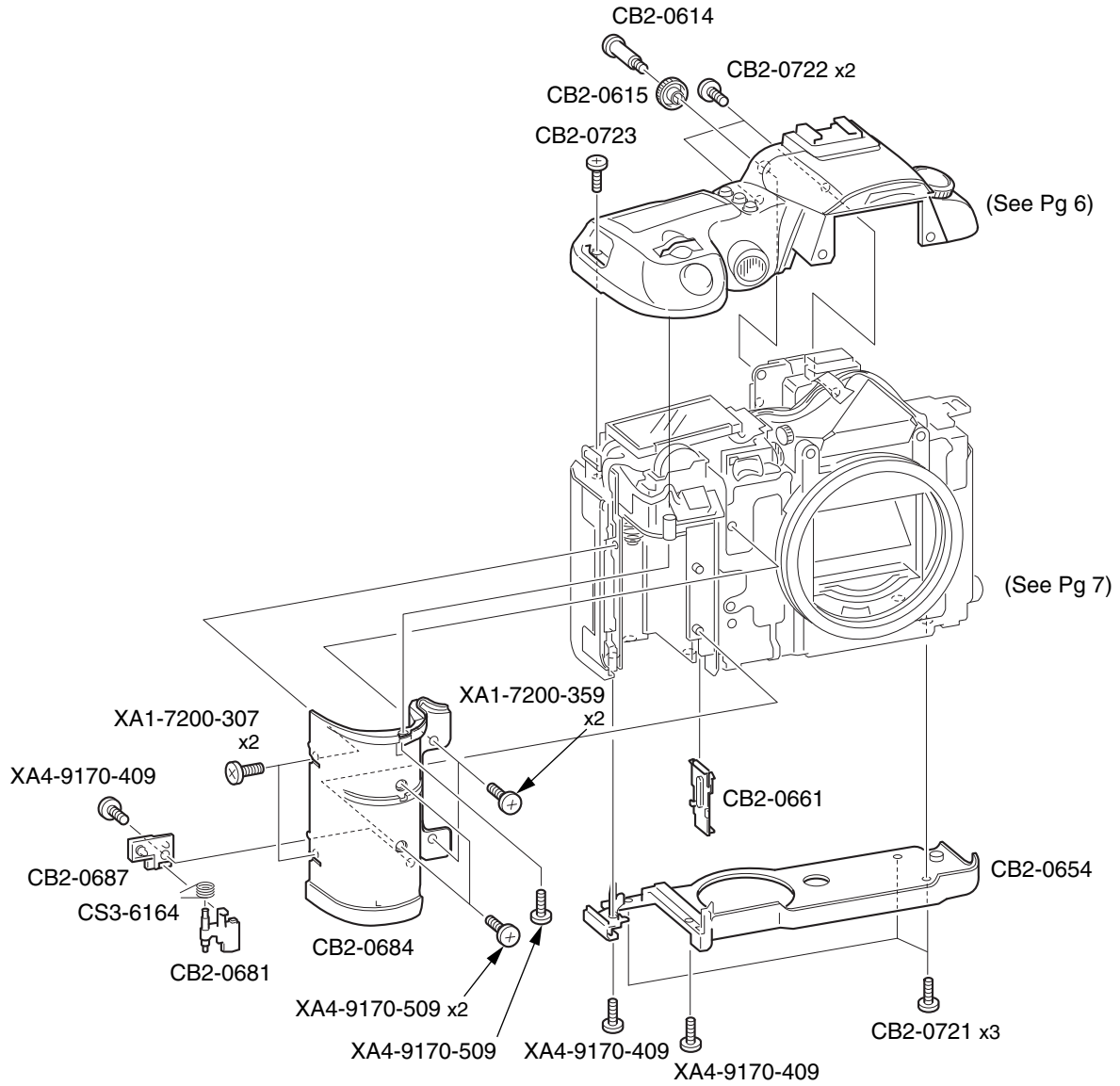


PARTSLIST

REF.NO. C12-6011

NEW	PARTS No	CLASS	QTY	DESCRIPTION
	CB1-2678-000	C	1	SCREW M17X2.5
	CB2-0629-000	C	1	BUTTON, BC DIAL
	CB2-0630-000	C	1	DIAL, BACK COVER
	CB2-0637-000	B	1	WINDOW, TFT LCD
	CB2-0639-000	C	1	CONTACT, BC DIAL
	CG1-1963-000	C	1	FPC ASS'Y, BUZZER
	CG1-1969-000	C	1	FPC ASS'Y, BACK COVER
*	CG2-0783-000	B	1	COVER ASS'Y, BACK
	CS3-5071-000	C	1	SPRING, COIL
	XA1-7140-307	F	1	SCREW M14X3
	XA4-5140-357	F	2	SCREW M14X3.5
	XA4-9170-409	F	5	SCREW M17x4
	XD2-1100-132	F	1	E RING
	XG8-1100-591	F	1	BALL, STEEL

CANON DIGITAL CAMERA EOS D60

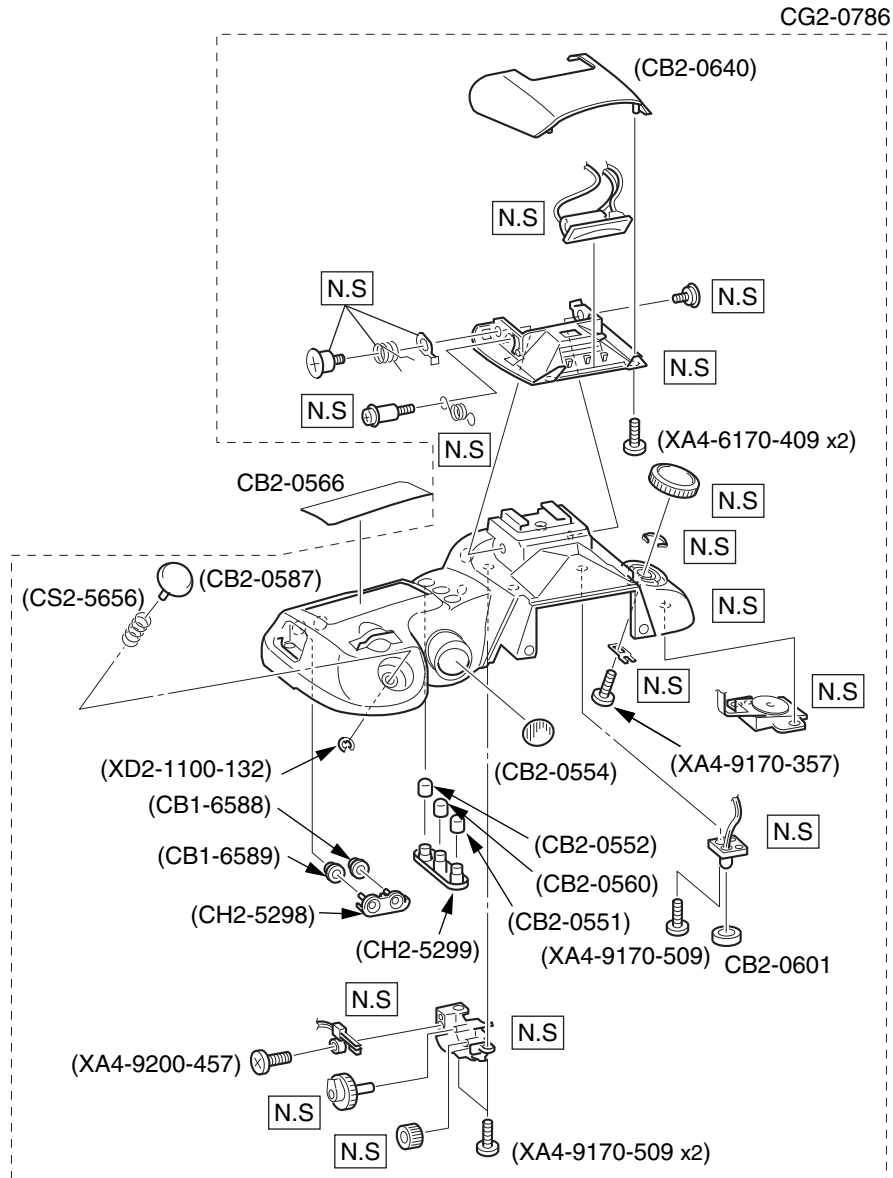


PARTSLIST

REF.NO. C12-6011

NEW	PARTS No	CLASS	QTY	DESCRIPTION
	CB2-0614-000	C	1	SCREW, STEP
	CB2-0615-000	C	1	KNOB, DIOPTOR ADJ.
	CB2-0654-000	B	1	COVER, BOTTOM
	CB2-0661-000	C	1	DOOR, CABLE
	CB2-0681-000	C	1	LEVER, B-LOCK
	CB2-0684-000	C	1	GRIP
	CB2-0687-000	C	1	PLATE, B-LOCK
	CB2-0721-000	C	3	SCREW M17X2.5
	CB2-0722-000	C	2	SCREW M17X5
	CB2-0723-000	C	1	SCREW M2X6.5
	CS3-6164-000	C	1	SPRING, B-LOCK
	XA1-7200-307	F	2	SCREW M2X3
	XA1-7200-359	F	2	SCREW M2X3.5
	XA4-9170-409	F	3	SCREW M17x4
	XA4-9170-509	F	3	SCREW M17X5

CANON DIGITAL CAMERA EOS D60

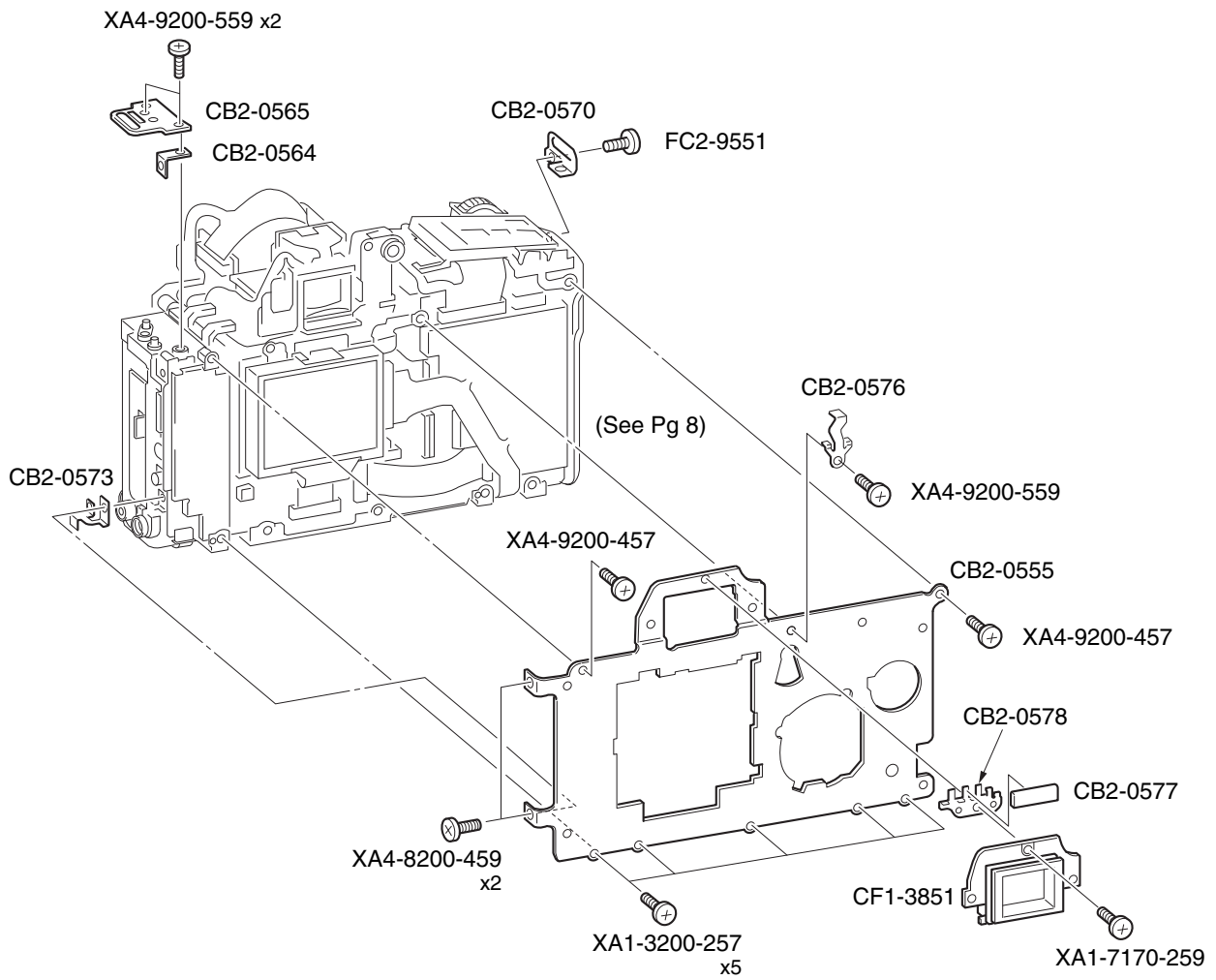


PARTSLIST

REF.NO. C12-6011

NEW	PARTS No	CLASS	QTY	DESCRIPTION
	CB1-6588-000	C	1	BUTTON, AE-LOCK
	CB1-6589-000	C	1	BUTTON, AF-SELECT
	CB2-0551-000	C	1	BUTTON, AE MODE
	CB2-0552-000	C	1	BUTTON, AF MODE
	CB2-0554-000	C	1	WINDOW, SUPPORT LIGHT
	CB2-0560-000	C	1	BUTTON, DRIVE
	CB2-0566-000	B	1	WINDOW, LCD DISPLAY
	CB2-0587-000	C	1	BUTTON, RELEASE
	CB2-0601-000	C	1	CUSHION, FIBER
	CB2-0640-000	B	1	COVER, SP LIGHT
*	CG2-0786-000	C	1	COVER ASS'Y, TOP
	CH2-5298-000	C	1	CONTACT, AE/AF SWITCH
	CH2-5299-000	C	1	CONTACT, TOP SWITCH
	CS2-5656-000	C	1	SPRING, COIL
	XA4-6170-409	F	2	SCREW M17X4
	XA4-9170-357	F	1	SCREW M17X3.5
	XA4-9170-509	F	3	SCREW M17X5
	XA4-9200-457	F	1	SCREW M2X4.5
	XD2-1100-132	F	1	E RING

CANON DIGITAL CAMERA EOS D60

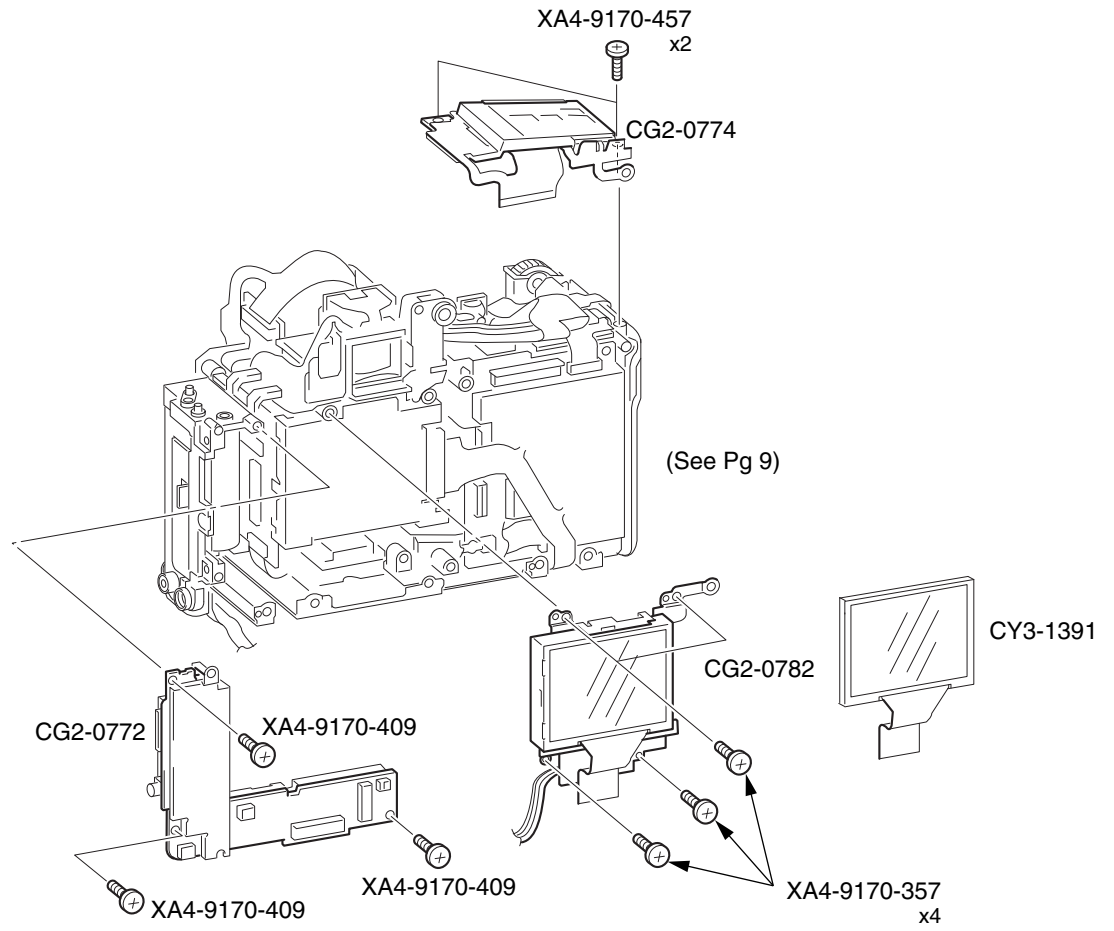


PARTSLIST

REF.NO. C12-6011

NEW	PARTS No	CLASS	QTY	DESCRIPTION
	CB2-0555-000	C	1	FRAME, REAR
	CB2-0564-000	C	1	RAG, NECK
	CB2-0565-000	C	1	HOLDER, STRAP L
	CB2-0570-000	C	1	HOLDER, STRAP R
	CB2-0573-000	C	1	RAG, REMOTE
	CB2-0576-000	C	1	RAG, DISPLAY SUPPORT
	CB2-0577-000	C	1	SHEET, SHIELD
	CB2-0578-000	C	1	HOLDER, SHIELD SHEET
	CF1-3851-000	C	1	COVER ASS'Y, EYEPIECE
	FC2-9551-000	C	1	SCREW M2X2.5
	XA1-3200-257	F	5	SCREW M2X2.5
	XA1-7170-259	F	1	SCREW M17X2.5
	XA4-8200-459	F	2	SCREW M2X4.5
	XA4-9200-457	F	2	SCREW M2X4.5
	XA4-9200-559	F	3	SCREW M2X5.5

CANON DIGITAL CAMERA EOS D60

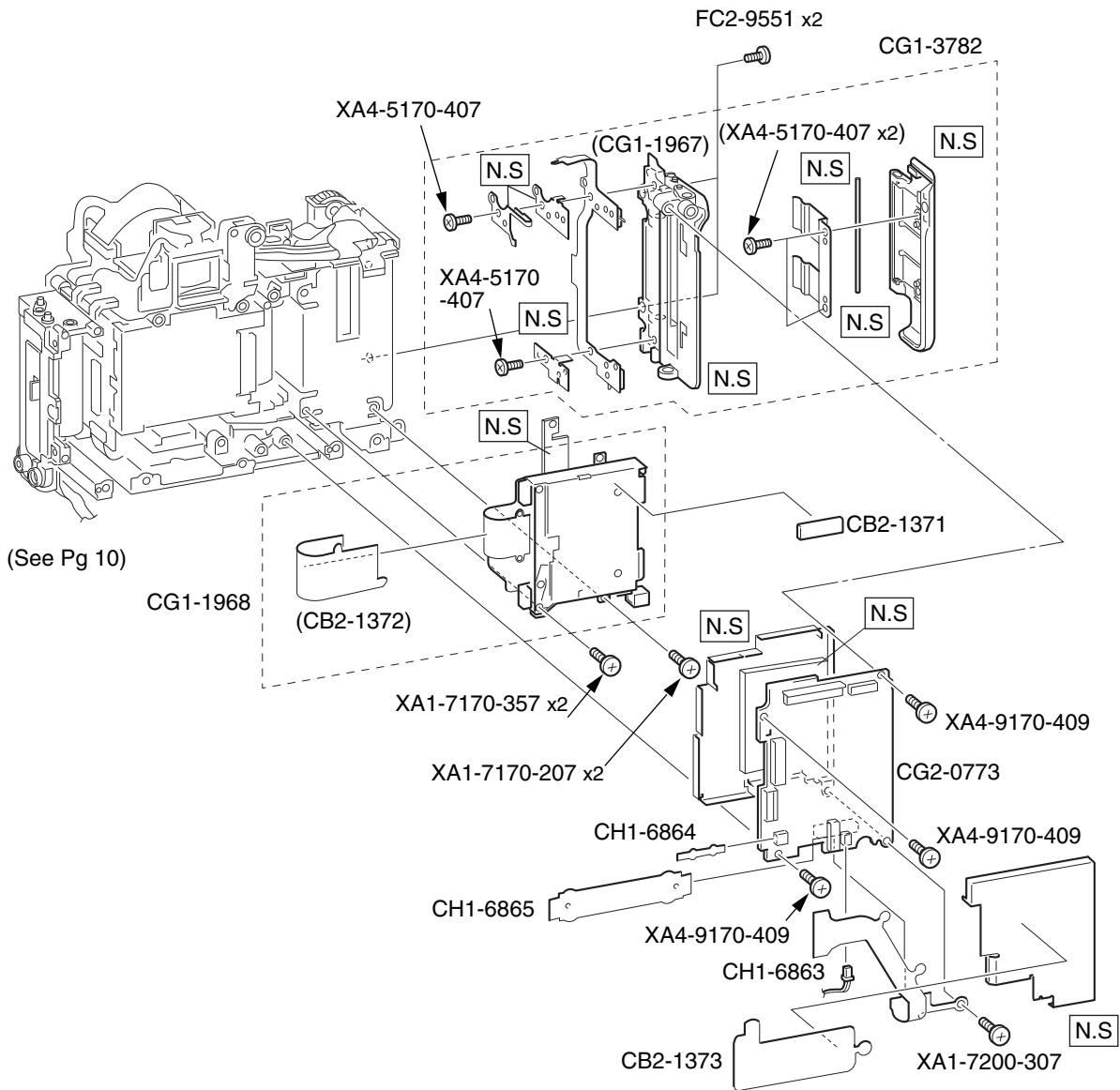


PARTSLIST

REF.NO. C12-6011

NEW	PARTS No	CLASS	QTY	DESCRIPTION
*	CG2-0772-000	C	1	PCB ASS'Y, TFT
*	CG2-0774-000	C	1	OLC DISPLAY ASS'Y
*	CG2-0782-000	C	1	TFT LCD ASS'Y (STN)
*	CY3-1391-000	C	1	LCD ASS'Y, DOT-FREE TFT
	XA4-9170-357	F	4	SCREW M17X3.5
	XA4-9170-409	F	3	SCREW M17x4
	XA4-9170-457	F	2	SCREW M17X4.5

CANON DIGITAL CAMERA EOS D60

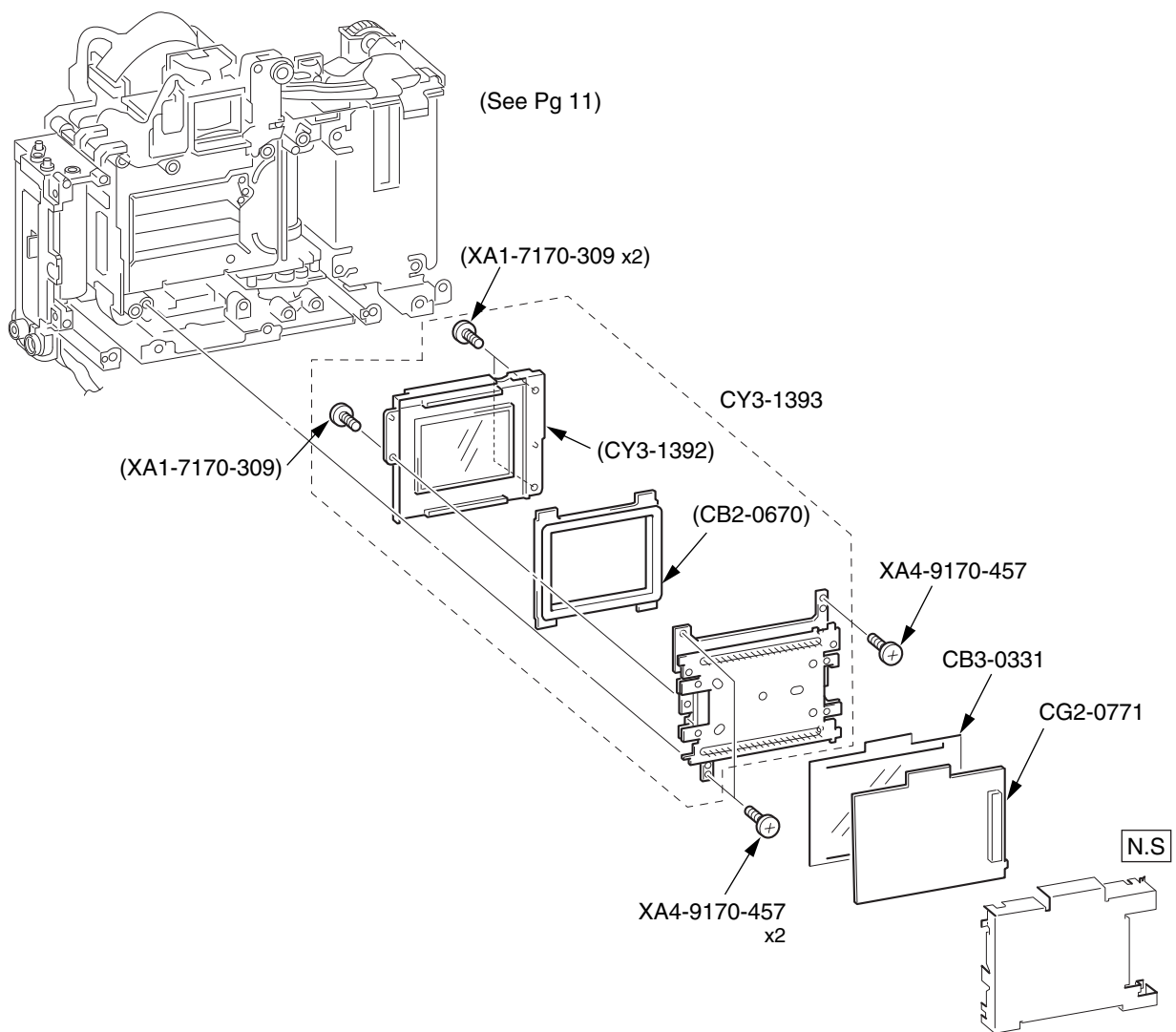


PARTSLIST

REF.NO. C12-6011

NEW	PARTS No	CLASS	QTY	DESCRIPTION
	CB2-1371-000	C	1	CUSHION
	CB2-1372-000	C	1	SHEET, SHIELD
	CB2-1373-000	C	1	SHEET, SHIELD
	CG1-1967-000	C	1	FPC ASS'Y, DOOR DET. SWITCHES
	CG1-1968-000	C	1	FPC ASS'Y CF
	CG1-3782-000	B	1	COVER ASS'Y, RIGHT SIDE
*	CG2-0773-000	C	1	PCB ASS'Y, DIGITAL
	CH1-6863-000	C	1	FPC (ANALOG-DIGITAL)
	CH1-6864-000	C	1	FPC (DIGITAL-TFT)
	CH1-6865-000	C	1	FPC (DIGITAL-CAMERA MAIN)
	FC2-9551-000	C	2	SCREW M2X2.5
	XA1-7170-207	F	2	SCREW M17X2
	XA1-7170-357	F	2	SCREW M17X3.5
	XA1-7200-307	F	1	SCREW M2X3
	XA4-5170-407	F	4	SCREW M17X4
	XA4-9170-409	F	3	SCREW M17x4

CANON DIGITAL CAMERA EOS D60

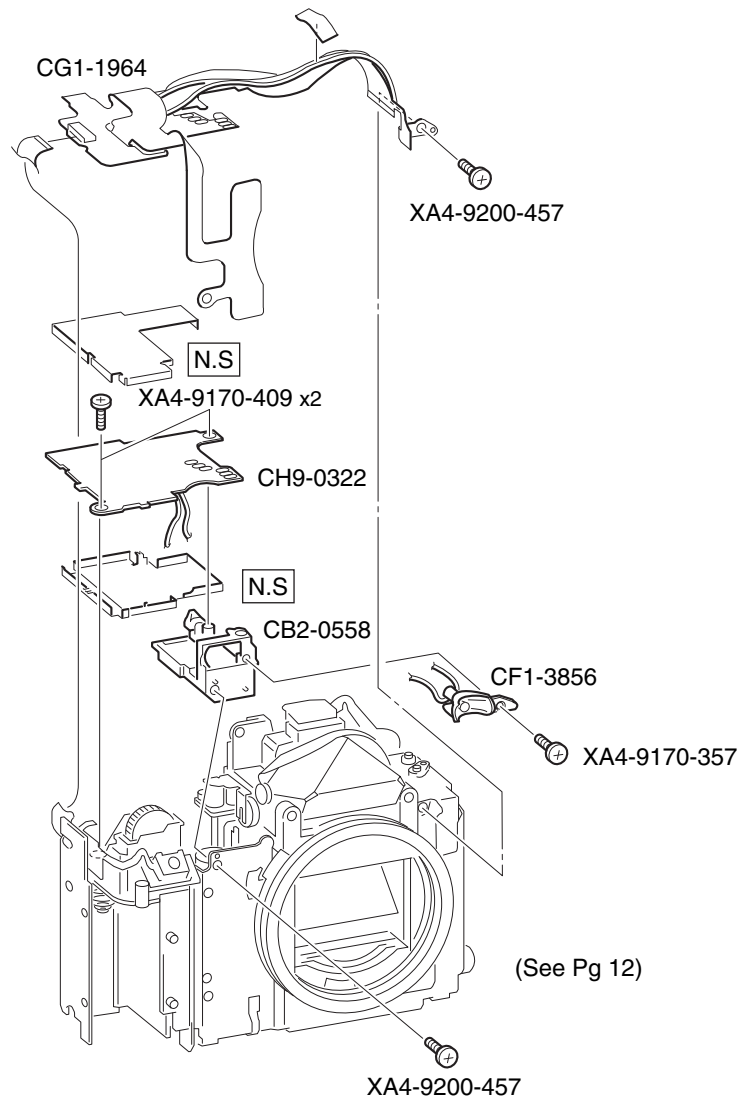


PARTSLIST

REF.NO. C12-6011

NEW	PARTS No	CLASS	QTY	DESCRIPTION
	CB2-0670-000	C	1	SHIELD, C-MOS RUBBER
*	CB3-0331-000	C	1	SHEET, ANALOG PCB
*	CG2-0771-000	C	1	PCB ASS'Y, ANALOG
*	CY3-1392-000	C	1	FILTER, IR/LPF
*	CY3-1393-000	C	1	C-MOS ASS'Y
	XA1-7170-309	F	3	SCREW M17X3
	XA4-9170-457	F	3	SCREW M17x4

CANON DIGITAL CAMERA EOS D60

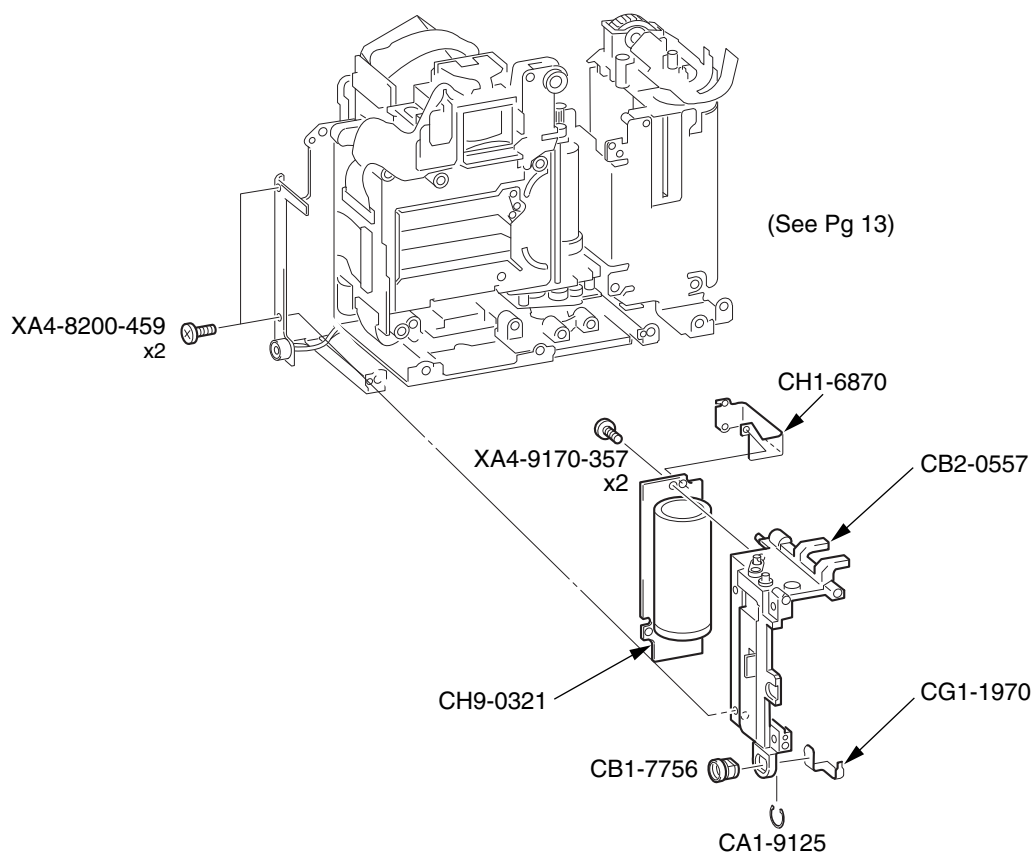


PARTSLIST

REF.NO. C12-6011

NEW	PARTS No	CLASS	QTY	DESCRIPTION
	CB2-0558-000	C	1	BODY, RIGHT
	CF1-3856-000	C	1	LAMP ASS'Y, AF SUPPORT
	CG1-1964-000	C	1	FPC ASS'Y, MD
	CH9-0322-000	C	1	PCB ASS'Y, DC/DC
	XA4-9170-357	F	1	SCREW M17X3.5
	XA4-9170-409	F	2	SCREW M17x4
	XA4-9200-457	F	2	SCREW M2X4.5

CANON DIGITAL CAMERA EOS D60

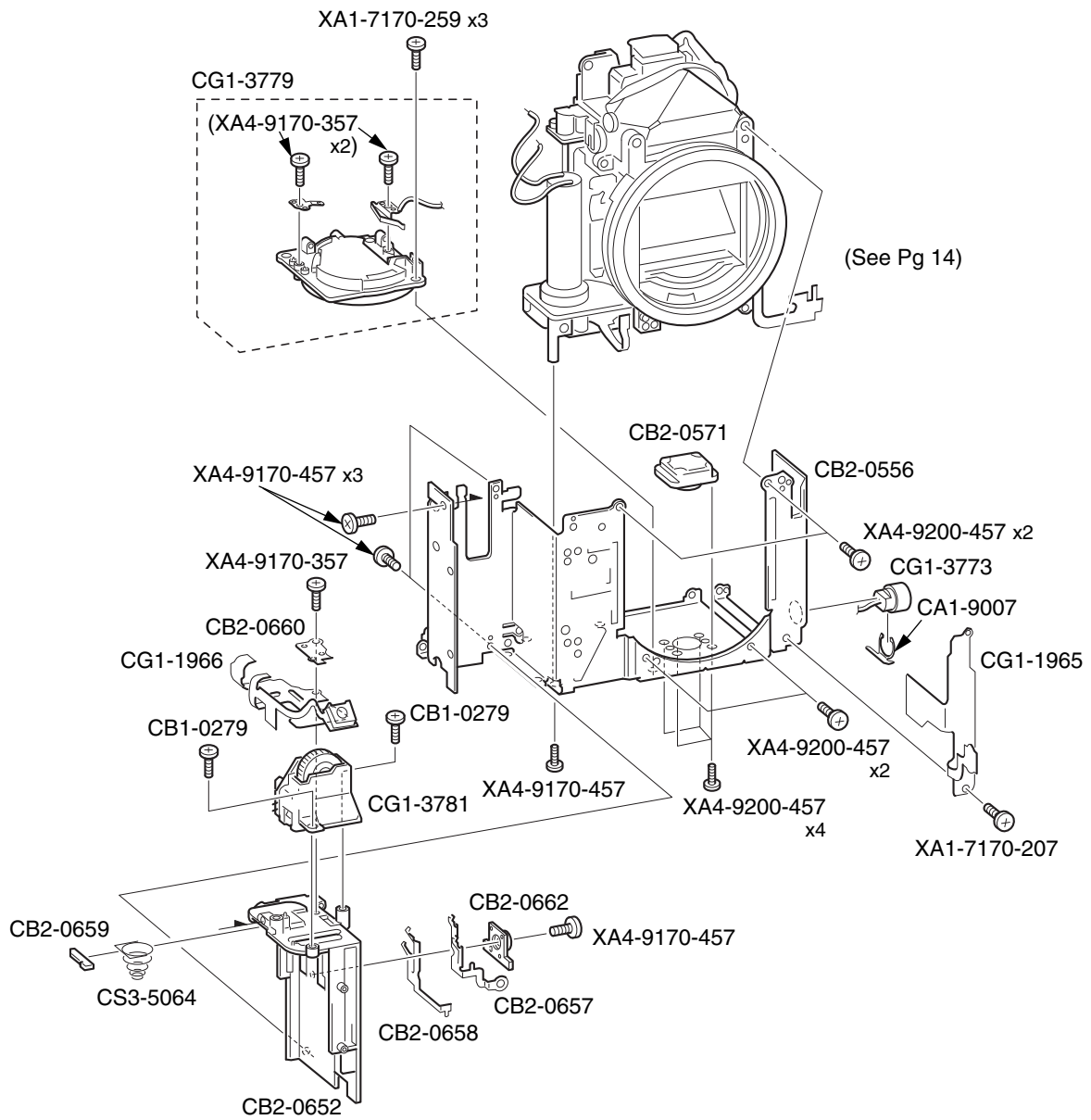


PARTSLIST

REF.NO. C12-6011

NEW	PARTS No	CLASS	QTY	DESCRIPTION
	CA1-9125-000	C	1	STOPPER, RT CONNECTOR
	CB1-7756-000	C	1	CONNECTOR, REMOTE
	CB2-0557-000	C	1	BODY, LEFT
	CG1-1970-000	C	1	FPC ASS'Y, REMOTE
	CH1-6870-000	C	1	FPC (DE-SP LIGHT)
	CH9-0321-000	C	1	PCB ASS'Y, SP LIGHT
	XA4-8200-459	F	2	SCREW M2X4.5
	XA4-9170-357	F	2	SCREW M17X3.5

CANON DIGITAL CAMERA EOS D60

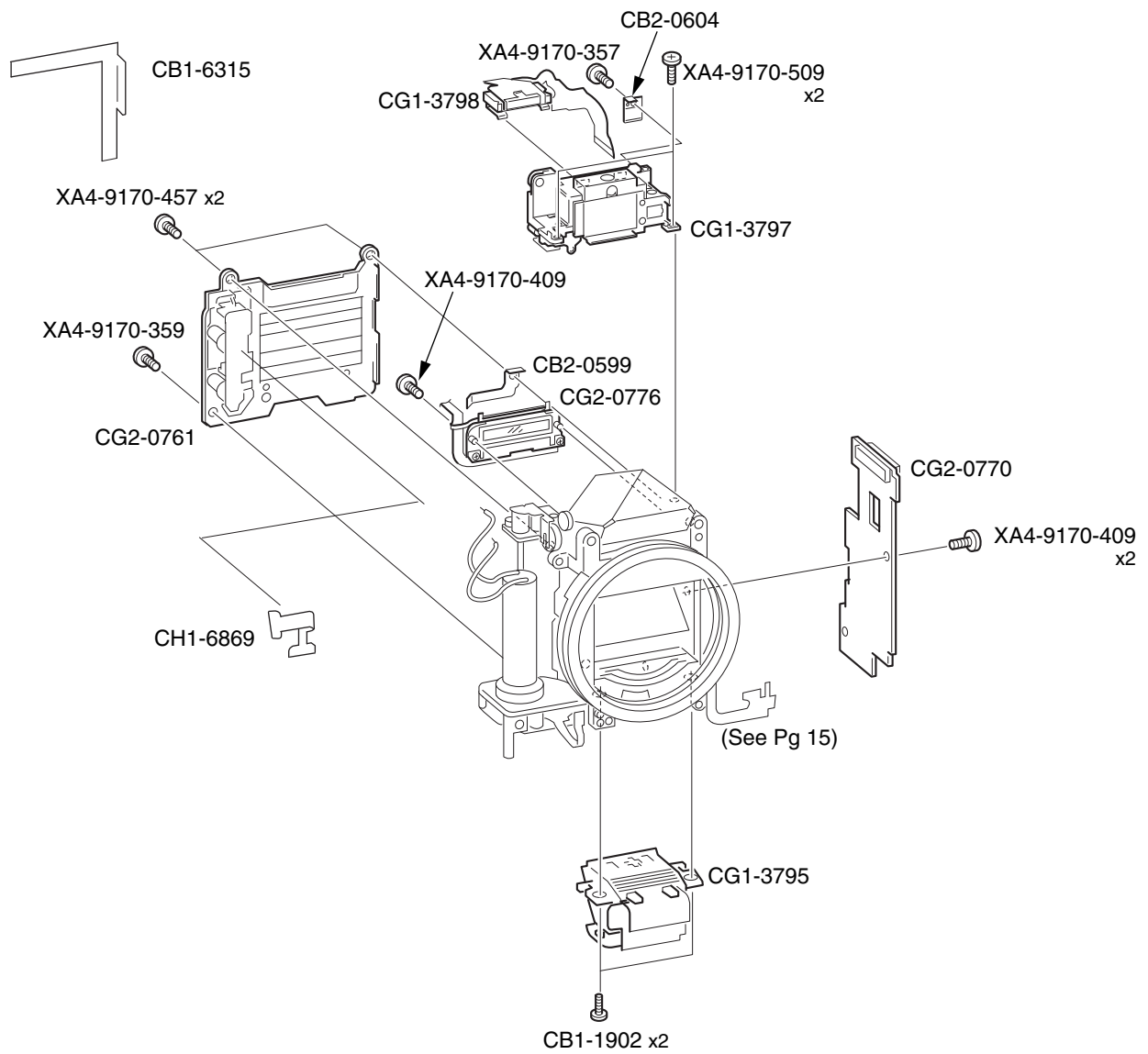


PARTSLIST

REF.NO. C12-6011

NEW	PARTS No	CLASS	QTY	DESCRIPTION
	CA1-9007-000	C	1	STOPPER, PC TERMINAL
	CB1-0279-000	C	2	SCREW M17X4.5
	CB2-0556-000	C	1	BODY, FRONT
	CB2-0571-000	C	1	SOCKET, TRIPOD
	CB2-0652-000	C	1	CASE, MAIN BATTERY
	CB2-0657-000	C	1	CONTACT, BATTERY 1
	CB2-0658-000	C	1	CONTACT, BATTERY 2
	CB2-0659-000	C	1	HOLDER, BATTERY SPRING
	CB2-0660-000	C	1	PLATE, SW HOLDER
	CB2-0662-000	C	1	HOLDER, CONTACT
	CG1-1965-000	C	1	FPC ASS'Y, FRONT
	CG1-1966-000	C	1	FPC ASS'Y, RELEASE
	CG1-3773-000	C	1	TERMINAL ASS'Y, PC
	CG1-3779-000	C	1	CASE ASS'Y, DATE BATTERY
	CG1-3781-000	C	1	MAIN DIAL ASS'Y
	CS3-5064-000	C	1	SPRING, COIL
	XA1-7170-207	F	1	SCREW M17X2
	XA1-7170-259	F	3	SCREW M17X2.5
	XA4-9170-357	F	3	SCREW M17X3.5
	XA4-9170-457	F	5	SCREW M17X4.5
	XA4-9200-457	F	8	SCREW M2X4.5

CANON DIGITAL CAMERA EOS D60



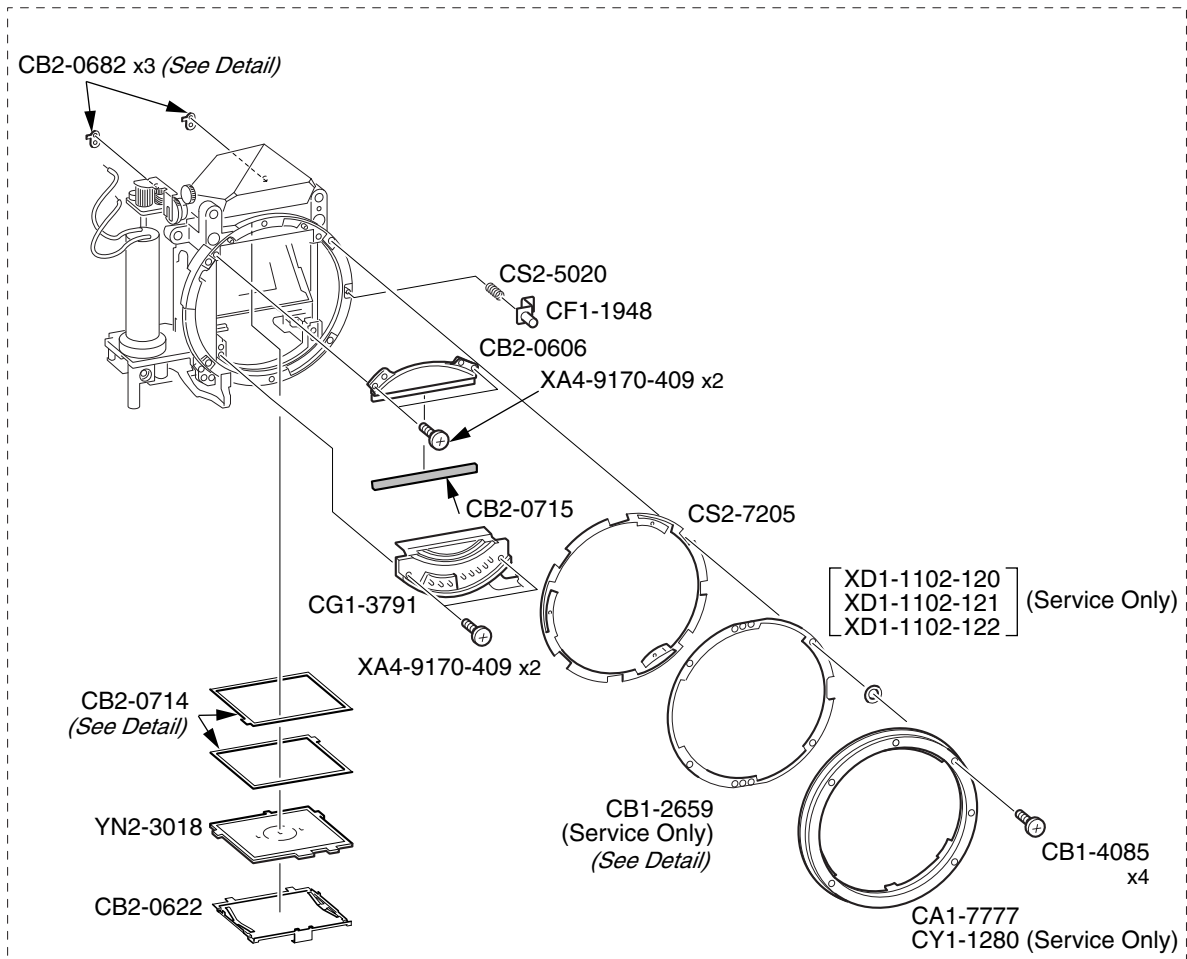
PARTSLIST

REF.NO. C12-6011

NEW	PARTS No	CLASS	QTY	DESCRIPTION
	CB1-1902-000	C	2	SCREW M17X4
*	CB1-6315-000	C	1	SHEET, SHUTTER SHADE
	CB2-0599-000	C	1	SPRING, PLATE
	CB2-0604-000	C	1	SPRING, PLATE
	CG1-3795-000	C	1	AUTO FOCUS ASS'Y
	CG1-3797-000	C	1	EYEPiece LENS ASS'Y
	CG1-3798-000	C	1	SPC SENSOR ASS'Y
*	CG2-0761-000	C	1	SHUTTER ASS'Y
*	CG2-0770-000	C	1	PCB ASS'Y, CAMERA MAIN
*	CG2-0776-000	C	1	VF LCD ASS'Y
	CH1-6869-000	C	1	FPC, SHUTTER
	XA4-9170-357	F	1	SCREW M17X3.5
	XA4-9170-359	F	1	SCREW M17X3.5
	XA4-9170-409	F	3	SCREW M17x4
	XA4-9170-457	F	2	SCREW M17X4.5
	XA4-9170-509	F	2	SCREW M17X5

CANON DIGITAL CAMERA EOS D60

CY3-1394



CB2-0682-000 (XXX) detail

	A	SIZE
	A (XXX)	0.03 mm (003) 0.05 mm (005) 0.08 mm (008) 0.10 mm (010) 0.12 mm (012) 0.15 mm (015) 0.18 mm (018) 0.20 mm (020)

CB1-2659-000 (XXX) detail

	B	SIZE
	B (XXX)	0.05 mm (005) 0.08 mm (008) 0.10 mm (010) 0.12 mm (012) 0.15 mm (015) 0.18 mm (018)

CB2-0714-000 (XXX) detail

	C	SIZE
	C (XXX)	0.05 mm (005) 0.10 mm (010) 0.15 mm (015) 0.20 mm (020) 0.25 mm (025) 0.30 mm (030) 0.35 mm (035) 0.40 mm (040) 0.45 mm (045) 0.50 mm (050)

PARTSLIST

REF.NO. C12-6011

NEW	PARTS No	CLASS	QTY	DESCRIPTION
	CA1-7777-000	C	1	MOUNT, BODY
	CB1-2659-000 (XXX)	C	1	SPACER, MOUNT
	CB1-4085-000	C	4	SCREW M2X6.5
	CB2-0606-000	C	1	COVER, MIRROR BOX
	CB2-0622-000	C	1	SPRING, SCREEN
	CB2-0682-000 (XXX)	C	3	WASHER, FB ADJ.
	CB2-0714-000 (XXX)	C	1	WASHER, SCREEN ADJ.
	CB2-0715-000	C	1	CUSHION
	CF1-1948-000	C	1	LEVER, LENS LOCK
*	CG1-3791-000	C	1	CONTACT ASS'Y, LENS MOUNT
	CS2-5020-000	C	1	SPRING, COIL
	CS2-7205-000	C	1	SPRING, MOUNT
	CY1-1280-000	C	1	MOUNT, BODY (0.1mm under)
*	CY3-1394-000	C	1	MIRROR BOX ASS'Y
	XA4-9170-409	F	4	SCREW M17x4
	XD1-1102-120	F	1	WASHER (0.05mm)
	XD1-1102-121	F	1	WASHER (0.1mm)
	XD1-1102-122	F	1	WASHER (0.2mm)
*	YN2-3018-000	C	1	SCREEN, FOCUSING

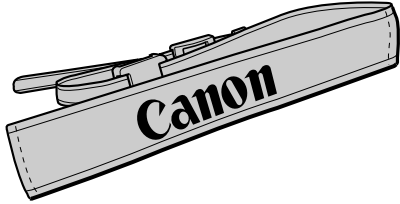
ELECTRIC PARTS LIST

REF.NO. C12-6011

NEW	PARTS No	CLASS	QTY	DESCRIPTION
*	CH2-7211-000	C	1	LEAD
*	CH2-7212-000	C	1	LEAD
*	CH2-7213-000	C	1	LEAD
*	CH2-7235-000	C	1	LEAD
	Y11-3706-000	C	1	LEAD (ORANGE)
	Y11-3711-000	C	1	LEAD (BLUE)
	Y11-3901-000	C	1	LEAD (WHITE)
	Y11-3902-000	C	1	LEAD (BLACK)
	Y11-3903-000	C	1	LEAD (RED)
	Y11-3906-000	C	1	LEAD (ORANGE)
	Y11-3907-000	C	1	LEAD (YELLOW)
	Y11-3909-000	C	1	LEAD (GREEN)
	Y11-3911-000	C	1	LEAD (BLUE)
	Y11-5002-000	C	1	LEAD (BLACK)
	Y11-5003-000	C	1	LEAD (RED)
	Y11-5004-000	C	1	LEAD (PINK)

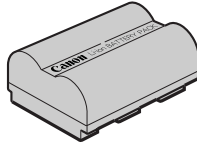
Accessories Section

**Neck Strap EW-100DB
(with eyepiece cover)**



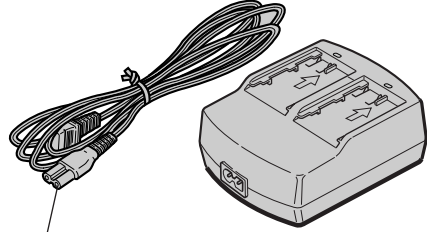
N.S (Product Available)

Battery Pack BP-511



N.S (Product Available)

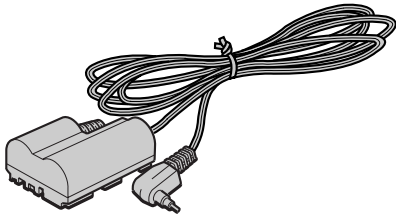
**Compact Power Adapter
CA-PS400**



N.S (Product Available)

WT3-5062
WT3-5063
WT3-5064
WT3-5115
WT3-5066

DC Coupler DR-400



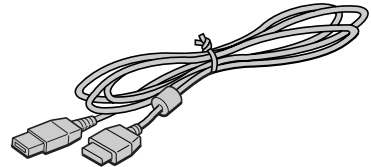
N.S (Product Available)

**CompactFlash Card
FC-16M**



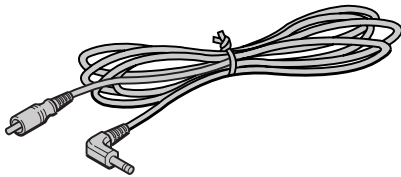
N.S (Product Available)

**Interface Cable
IFC-200 PCU**



FH6-0775

Video Cable VC-100



FH6-3922

PARTSLIST

REF.NO. C12-6011

NEW	PARTS No	CLASS	QTY	DESCRIPTION
	FH6-0775-000	C		INTERFACE CABLE IFC-200 PCU
	FH6-3922-010	C		VIDEO CABLE VC-100
	WT3-5062-000	C		CABLE, AC (JPN)
	WT3-5063-000	C		CABLE, AC (USA)
	WT3-5064-000	C		CABLE, AC (EUR)
	WT3-5066-000	C		CABLE, AC (AUSTRALIA)
	WT3-5115-000	C		CABLE, AC (UK)

PARTS INDEX

REF.NO. C12-6011

NEW	PARTS No	PAGE	NEW	PARTS No	PAGE
	CA1-7777-000	15		CB2-0629-000	4
	CA1-9007-000	13		CB2-0630-000	4
	CA1-9125-000	12		CB2-0637-000	4
	CB1-0279-000	13		CB2-0639-000	4
	CB1-1902-000	14		CB2-0640-000	6
	CB1-2659-000 (XXX)	15		CB2-0652-000	13
	CB1-2678-000	4		CB2-0654-000	5
	CB1-4085-000	15		CB2-0657-000	13
*	CB1-6315-000	14		CB2-0658-000	13
	CB1-6578-000	2		CB2-0659-000	13
	CB1-6588-000	6		CB2-0660-000	13
	CB1-6589-000	6		CB2-0661-000	5
	CB1-7756-000	12		CB2-0662-000	13
	CB2-0551-000	6		CB2-0666-000	1
	CB2-0552-000	6		CB2-0670-000	10
	CB2-0554-000	6		CB2-0680-000	1
	CB2-0555-000	7		CB2-0681-000	5
	CB2-0556-000	13		CB2-0682-000 (XXX)	15
	CB2-0557-000	12		CB2-0684-000	5
	CB2-0558-000	11		CB2-0686-000	1
	CB2-0560-000	6		CB2-0687-000	5
	CB2-0564-000	7		CB2-0714-000 (XXX)	15
	CB2-0565-000	7		CB2-0715-000	15
	CB2-0566-000	6		CB2-0719-000	1
	CB2-0568-000	1		CB2-0720-000	1
	CB2-0570-000	7		CB2-0721-000	3,5
	CB2-0571-000	13		CB2-0722-000	5
	CB2-0573-000	7		CB2-0723-000	5
	CB2-0576-000	7		CB2-0724-000	3
	CB2-0577-000	7		CB2-0726-000	2
	CB2-0578-000	7		CB2-0727-000	2
	CB2-0587-000	6		CB2-1371-000	9
	CB2-0589-000	1		CB2-1372-000	9
	CB2-0599-000	14		CB2-1373-000	9
	CB2-0601-000	6	*	CB3-0329-000	1
	CB2-0604-000	14	*	CB3-0331-000	10
	CB2-0606-000	15		CF1-1948-000	15
	CB2-0614-000	5		CF1-3851-000	7
	CB2-0615-000	5		CF1-3855-000	1
	CB2-0622-000	15		CF1-3856-000	11

PARTS INDEX

REF.NO. C12-6011

NEW	PARTS No	PAGE	NEW	PARTS No	PAGE
	CG1-1963-000	4		CH9-0322-000	11
	CG1-1964-000	11		CS2-5020-000	15
	CG1-1965-000	13		CS2-5656-000	6
	CG1-1966-000	13		CS2-5855-000	2
	CG1-1967-000	9		CS2-7205-000	15
	CG1-1968-000	9		CS3-5064-000	13
	CG1-1969-000	4		CS3-5071-000	4
	CG1-1970-000	12		CS3-6164-000	5
	CG1-3773-000	13		CY1-1280-000	15
	CG1-3779-000	13	*	CY3-1390-000	1
	CG1-3781-000	13	*	CY3-1391-000	8
	CG1-3782-000	9	*	CY3-1392-000	10
	CG1-3786-000	1	*	CY3-1393-000	10
*	CG1-3791-000	15	*	CY3-1394-000	15
	CG1-3795-000	14		FC2-9551-000	7,9
	CG1-3797-000	14		FH6-0775-000	17
	CG1-3798-000	14		FH6-3922-010	17
*	CG2-0761-000	14		WT3-5062-000	17
*	CG2-0770-000	14		WT3-5063-000	17
*	CG2-0771-000	10		WT3-5064-000	17
*	CG2-0772-000	8		WT3-5066-000	17
*	CG2-0773-000	9		WT3-5115-000	17
*	CG2-0774-000	8		XA1-3170-207	1
*	CG2-0776-000	14		XA1-3200-257	7
*	CG2-0778-000	2		XA1-7140-307	4
*	CG2-0782-000	8		XA1-7170-207	9,13
*	CG2-0783-000	4		XA1-7170-259	7,13
*	CG2-0786-000	6		XA1-7170-309	10
	CH1-6863-000	9		XA1-7170-357	9
	CH1-6864-000	9		XA1-7200-307	5,9
	CH1-6865-000	9		XA1-7200-359	2,5
	CH1-6869-000	14		XA4-5140-357	4
	CH1-6870-000	12		XA4-5170-407	9
	CH2-5298-000	6		XA4-6170-409	6
	CH2-5299-000	6		XA4-8200-459	7,12
*	CH2-7211-000	16		XA4-9170-357	6,8,11,12,13,14
*	CH2-7212-000	16		XA4-9170-359	14
*	CH2-7213-000	16		XA4-9170-409	4,5,8,9,11,14,15
*	CH2-7235-000	16		XA4-9170-457	8,10,13,14
	CH9-0321-000	12		XA4-9170-509	5,6,14

PARTS INDEX

REF.NO. C12-6011

NEW	PARTS No	PAGE	NEW	PARTS No	PAGE
	XA4-9200-457	6,7,11,13			
	XA4-9200-559	7			
	XD1-1102-120	15			
	XD1-1102-121	15			
	XD1-1102-122	15			
	XD2-1100-132	4,6			
	XD2-1100-172	2			
	XG8-1100-591	4			
	Y11-3706-000	16			
	Y11-3711-000	16			
	Y11-3901-000	16			
	Y11-3902-000	16			
	Y11-3903-000	16			
	Y11-3906-000	16			
	Y11-3907-000	16			
	Y11-3909-000	16			
	Y11-3911-000	16			
	Y11-5002-000	16			
	Y11-5003-000	16			
	Y11-5004-000	16			
*	YN2-3018-000	15			