

Canon

EOS 630 METALLIC GRAY

EOS 630

EOS 600 METALLIC GRAY

REF.NO.C12-8081

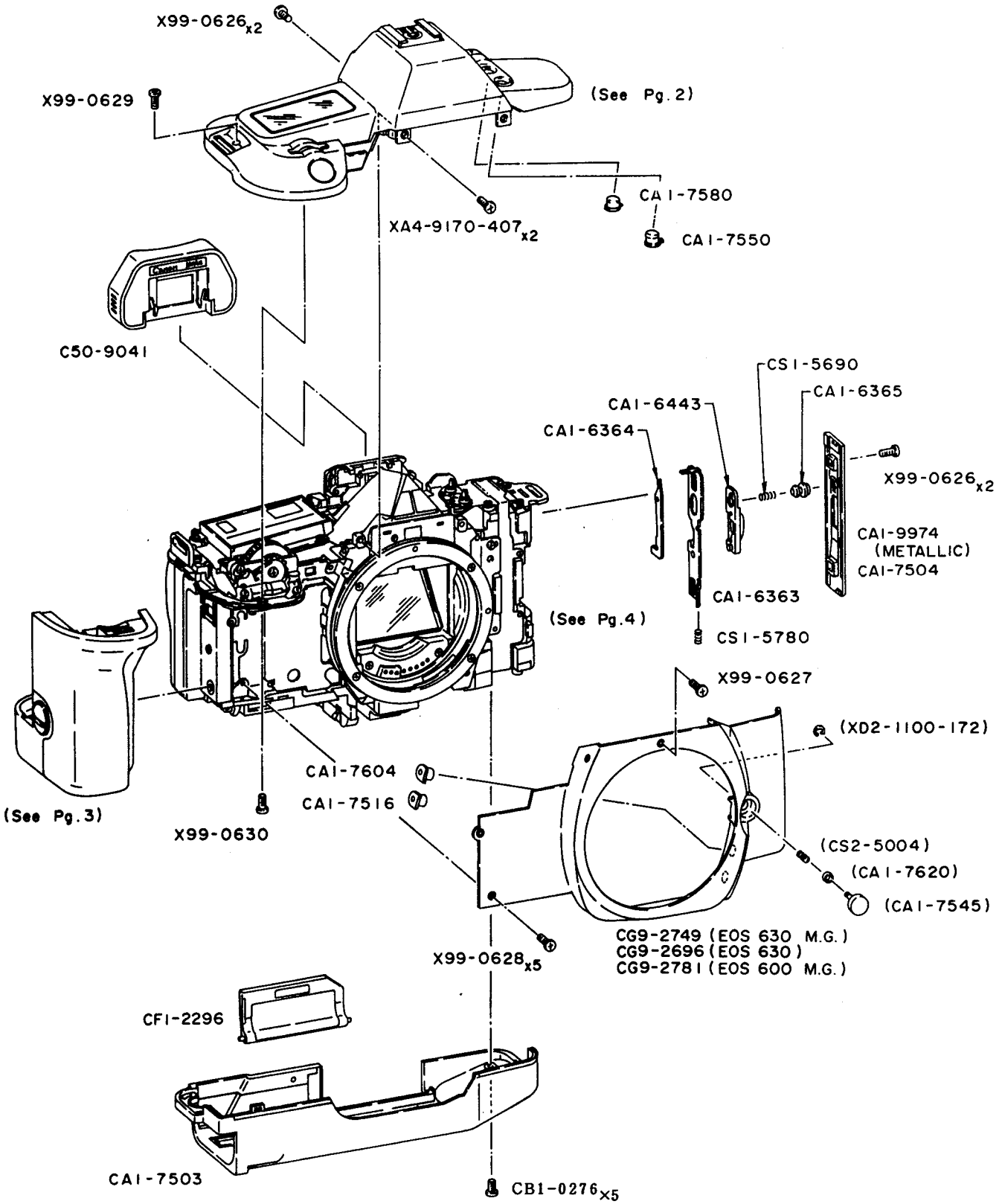
C12-8082

C12-8084

PARTS

CATALOG

CANON EOS 630 METALLIC GRAY
EOS 630
EOS 600 METALLIC GRAY



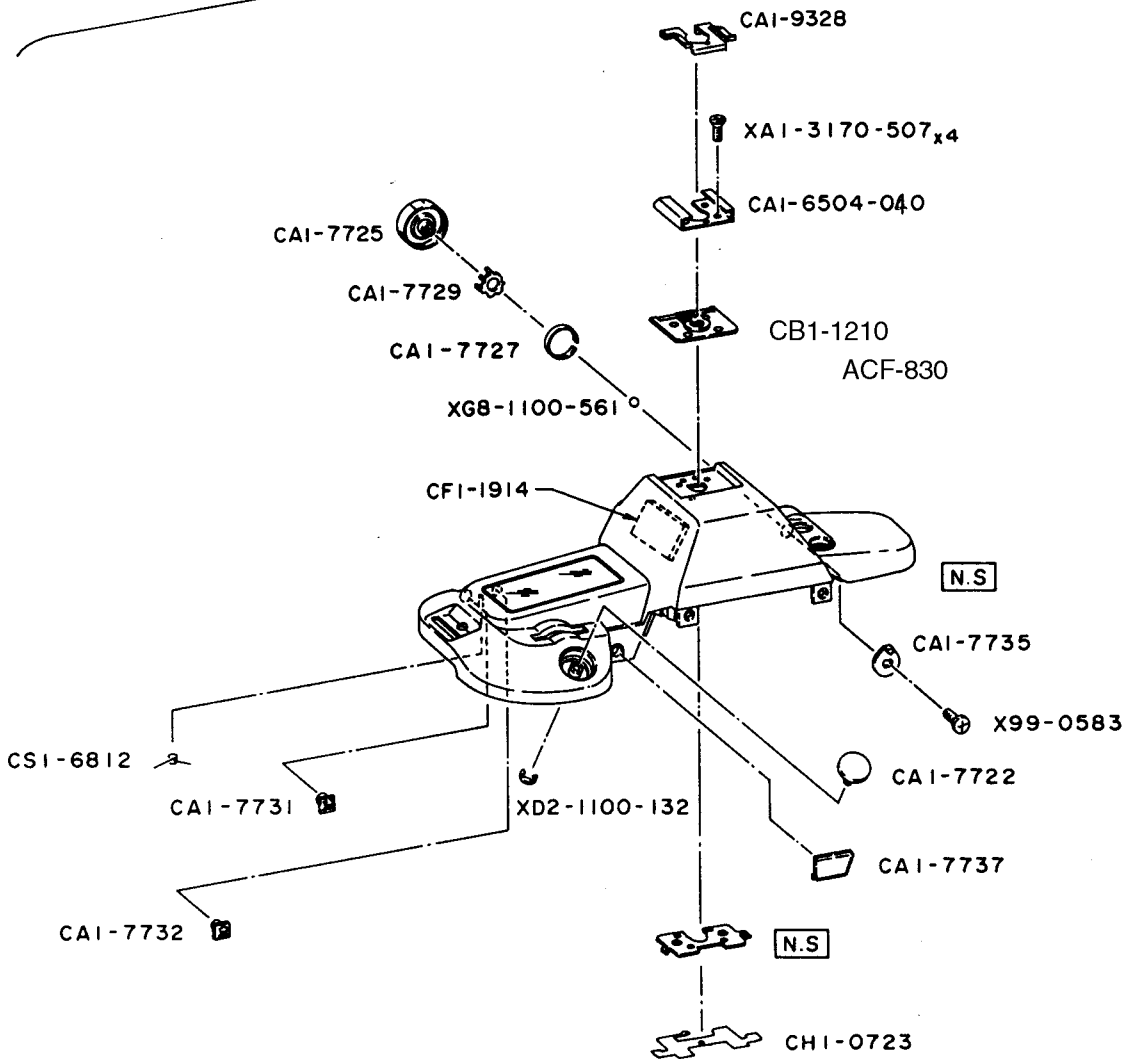
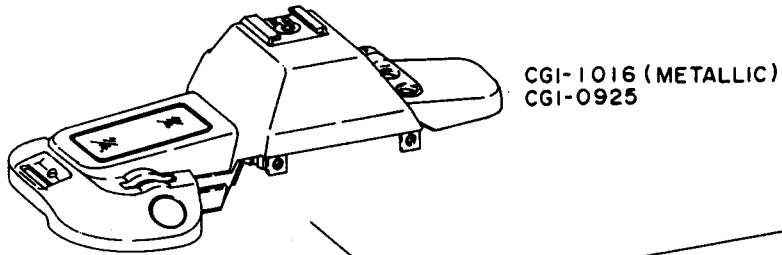
PARTS LIST

REF.NO.C12-8081,2,4

NEW PARTS NO.	CLASS	QTY	DESCRIPTION
C50-9041-000	E	1	EYE CUP
CA1-6363-000	E	1	HOOK
CA1-6364-000	E	1	LEVER, LOCK
CA1-6365-000	E	1	BUTTON, UNLOCK
CA1-6443-000	D	1	KNOB, BACK COVER
CA1-7503-000	C	1	COVER, BASE
CA1-7504-000	D	1	COVER, HOOK
CA1-7516-000	E	1	BUTTON, MANUAL
CA1-7545-000	D	1	BUTTON, LENS RELEASE
CA1-7550-000	D	1	BUTTON, MODE
CA1-7580-000	E	1	BUTTON, COMPENSATE
CA1-7604-000	E	1	BUTTON, IRIS
CA1-7620-000	E	1	CUSHION
CA1-9974-000	D	1	COVER, HOOK(MG)
CB1-0276-000		5	SCREW
CF1-2296-000	D	1	COVER, SW
CG9-2696-000	D	1	COVER ASS'Y, FRONT(630)
CG9-2749-000	D	1	COVER ASS'Y, FRONT(630 MG)
CG9-2781-000	D	1	COVER ASS'Y, FRONT(600 MG)
CS1-5690-000	D	1	SPRING, COIL
CS1-5780-000	D	1	SPRING, COIL
CS2-5004-000	E	1	SPRING, COIL
X99-0626-000		4	SCREW
X99-0627-000		1	SCREW
X99-0628-000		5	SCREW
X99-0629-000		1	SCREW
X99-0630-000		1	SCREW
XA4-9170-407		2	SCREW
XD2-1100-172		1	RING, E

CANON EOS 630 METALLIC GRAY
EOS 630
EOS 600 METALLIC GRAY

REF. NO. C12-8081
C12-8082
C12-8084



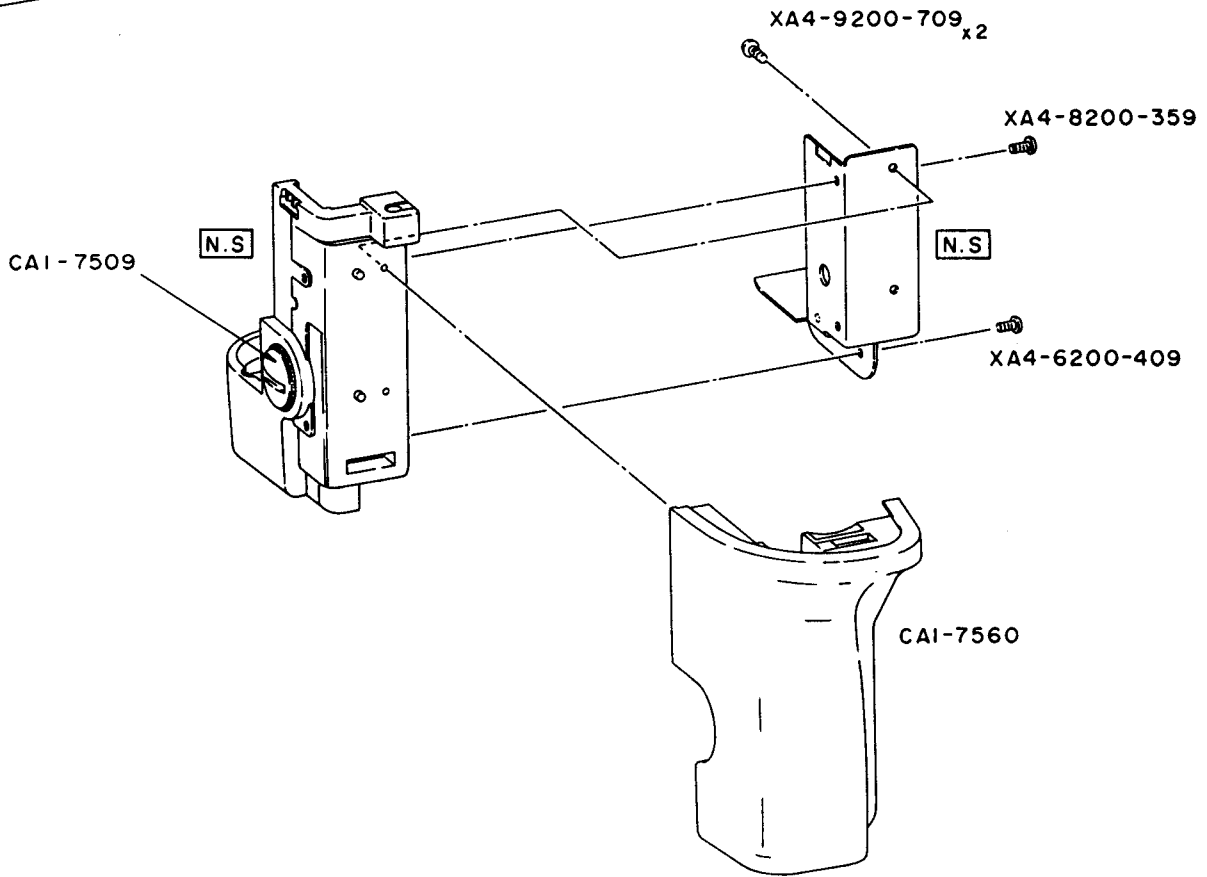
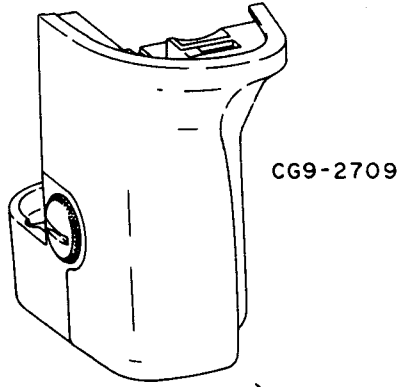
PARTS LIST

REF.NO.C12-8081,2,4

NEW PARTS NO.	CLASS	QTY	DESCRIPTION
CA1-6504-040	D	1	SHOE, ACCESSORY
CA1-7722-000	C	1	BUTTON, RELEASE
CA1-7725-000	C	1	KNOB, MAIN SW
CA1-7727-000	E	1	SPRING, MAIN SW
CA1-7729-000	E	1	PLATE, MAIN SW CLICK
CA1-7731-000	D	1	BUTTON, AE LOCK
CA1-7732-000	E	1	BUTTON, ILLUMINATION
CA1-7735-000	E	1	COUPLER, MAIN SWITCH
CA1-7737-000	D	1	COVER, SELF-TIMER LED
CA1-9328-000	C	1	SPRING, PLATE(BL)
CB1-1210-000	E	1	BASE, ACC.SHOE
CF1-1914-000	E	1	BEEPER
CG1-0925-000	D	1	COVER UNIT, TOP
CG1-1016-000	D	1	COVER UNIT, TOP(MG)
CH1-0723-000	E	1	FLEX, CONNECTING
CS1-6812-000	E	1	SPRING
X99-0583-000		1	SCREW
XA1-3170-507		4	SCREW
XD2-1100-132		1	RING, E
XG8-1100-561		1	BALL, STEEL

CANON EOS 630 METALLIC GRAY
EOS 630
EOS 600 METALLIC GRAY

REF. NO. C12-8081
C12-8082
C12-8084



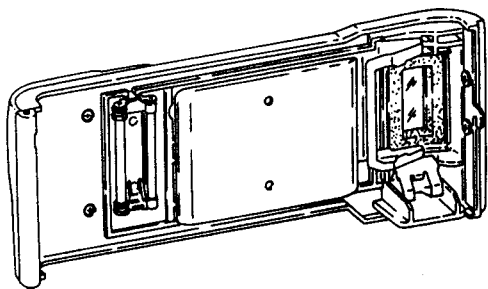
PARTS LIST

REF.NO.C12-8081,2,4

NEW PARTS NO.	CLASS	QTY	DESCRIPTION
CA1-7509-000	D	1	SCREW
CA1-7560-000	D	1	COVER, GRIP
CG9-2709-000	E	1	GRIP
XA4-6200-409		1	SCREW
XA4-8200-359		1	SCREW
XA4-9200-709		2	SCREW

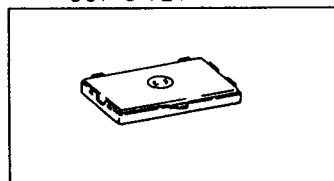
CANON EOS 630 METALLIC GRAY
EOS 630
EOS 600 METALLIC GRAY

REF. NO. C12-8081
C12-8082
C12-8084

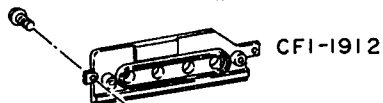


(See Pg.5)

CGI-0421



XA4-9170-509 x2

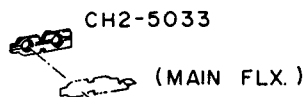


CFI-1912



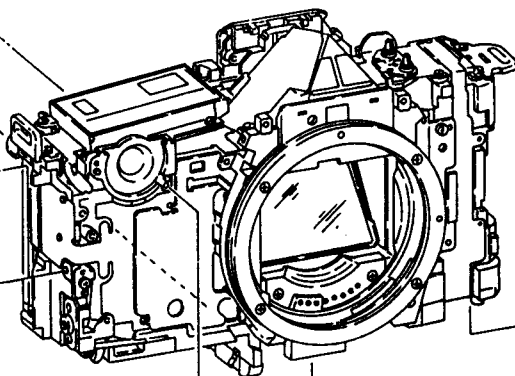
CH2-5031

(D FLX.)



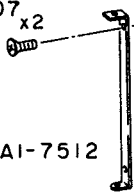
CH2-5033

(MAIN FLX.)



(See Pg.7)

XA4-8200-407 x2

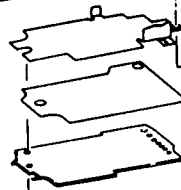


CAI-7512

(D FLX)

CAI-7624

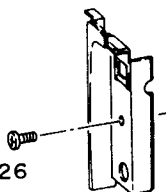
CH3-0027



XA4-9170-309

X99-0562 x2

X99-0626



CAI-9975 (METALLIC)
CAI-7506



CAI-7523

XA4-7200-607 x3

XA4-9170-509

(MAIN FLX.)



(See Pg.6)

XA4-9170-409

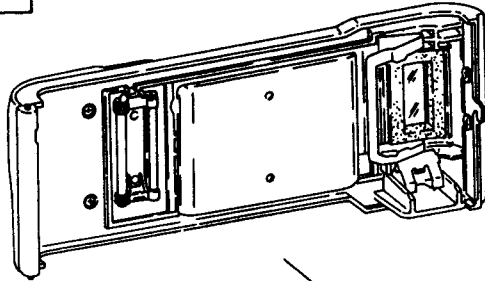
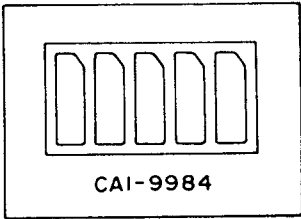
PARTS LIST

REF.NO.C12-8081,2,4

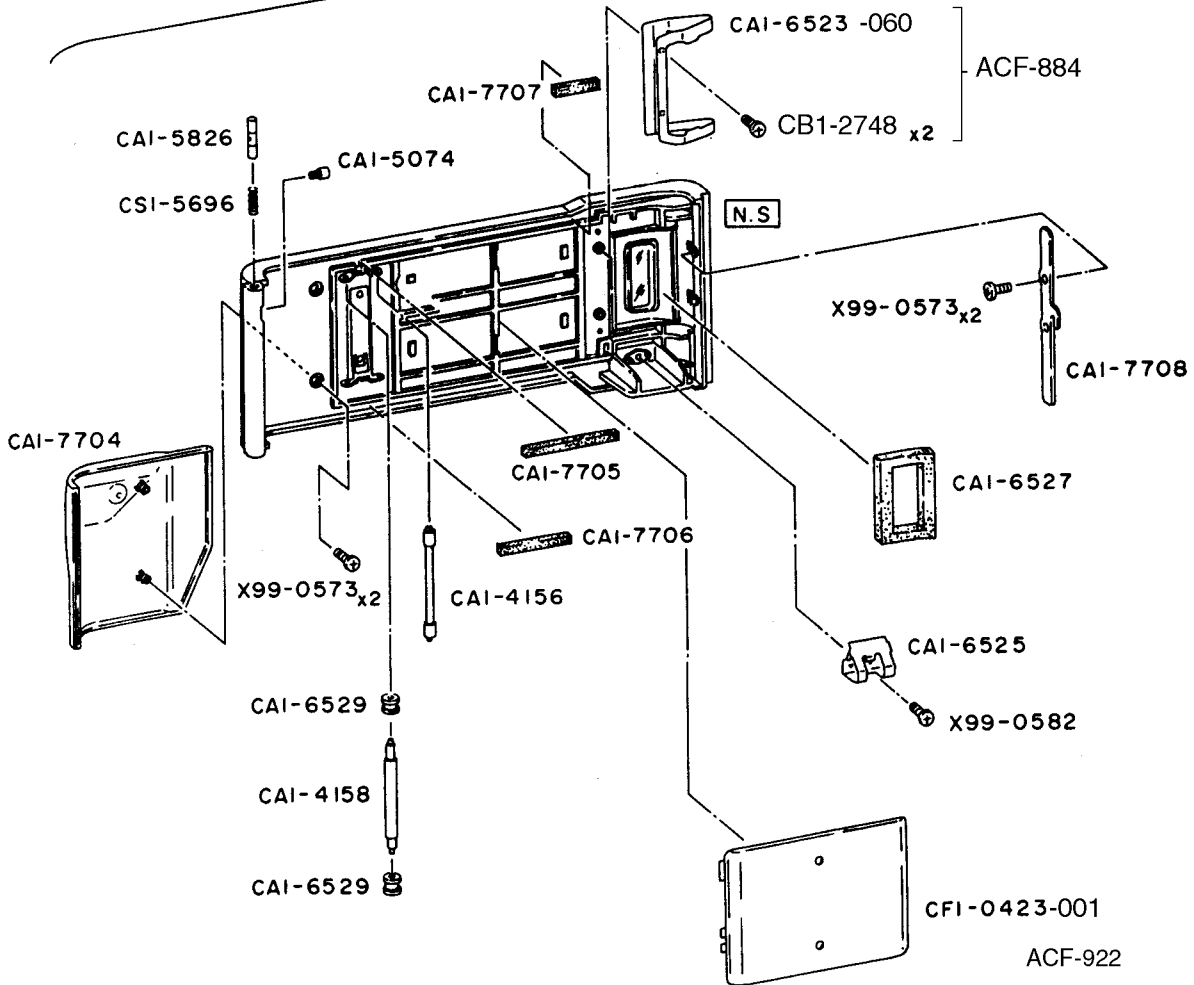
NEW PARTS NO.	CLASS	QTY	DESCRIPTION
CA1-7506-000	D	1	COVER, HINGE
CA1-7512-000	E	1	HINGE, BACK COVER
CA1-7523-000	E	1	SOCKET, TRIPOD
CA1-7624-000	D	1	SHEET, INSULATOR
CA1-9975-000	D	1	COVER, HINGE(MG)
CF1-1912-000	E	1	HOLDER, SW
CG1-0421-000	D	1	SCREEN, FOCUSING C
CH2-5031-000	D	1	CONTACT, RUBBER
CH2-5033-000	D	1	CONTACT, RUBBER
CH3-0027-000	D	1	CONVERTER, DC/DC
X99-0562-000		2	SCREW
X99-0626-000		1	SCREW
XA4-7200-607		3	SCREW
XA4-8200-407		2	SCREW
XA4-9170-309		1	SCREW
XA4-9170-409		1	SCREW
XA4-9170-509		3	SCREW

CANON EOS 630 METALLIC GRAY
EOS 630
EOS 600 METALLIC GRAY

REF. NO. C12-8081
C12-8082
C12-8084



CGI-0928 (METALLIC)
CGI-0401



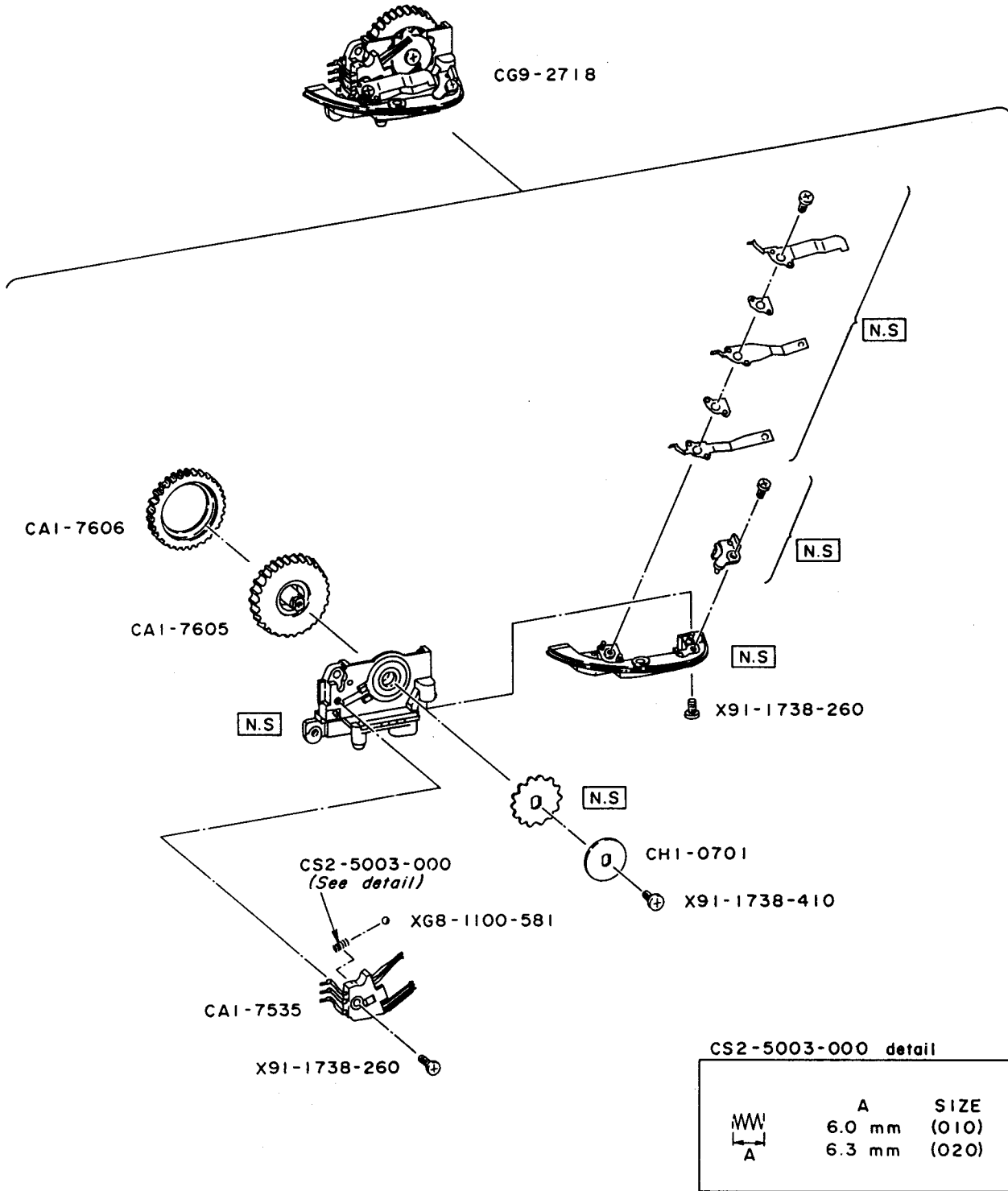
PARTS LIST

REF.NO.C12-8081,2,4

NEW PARTS NO.	CLASS	QTY	DESCRIPTION
CA1-4156-000	D	1	GUIDE, FILM
CA1-4158-000	D	1	ROLLER
CA1-5074-000	E	1	SCREW, STOPPER
CA1-5826-000	D	1	SHAFT, HINGE
CA1-6523-000	E	1	HOLDER, FILM MAGAZINE
CA1-6525-000	E	1	PLATE, SPRING
CA1-6527-000	D	1	SHIELD, LIGHT
CA1-6529-000	E	2	HOLDER, FILM ROLLER
CA1-7704-000	D	1	REST, THUMB
CA1-7705-000	E	1	SHIELD, LIGHT
CA1-7706-000	C	1	SHIELD, LIGHT
CA1-7707-000	E	1	SHIELD, LIGHT
CA1-7708-000	E	1	CLAW, BACK COVER
CA1-9984-000	E	1	SEAL, FULL AUTO MODE
CB1-2748-000		2	SCREW
CF1-0423-001	D	1	PLATE, PRESSURE
CG1-0401-000	D	1	COVER UNIT, BACK
CG1-0928-000	C	1	COVER UNIT, BACK(MG)
CS1-5596-000	D	1	SPRING, COIL
X99-0573-000		4	SCREW
X99-0582-000		1	SCREW

CANON EOS 630 METALLIC GRAY
 EOS 630
 EOS 600 METALLIC GRAY

REF. NO. C12-8081
 C12-8082
 C12-8084



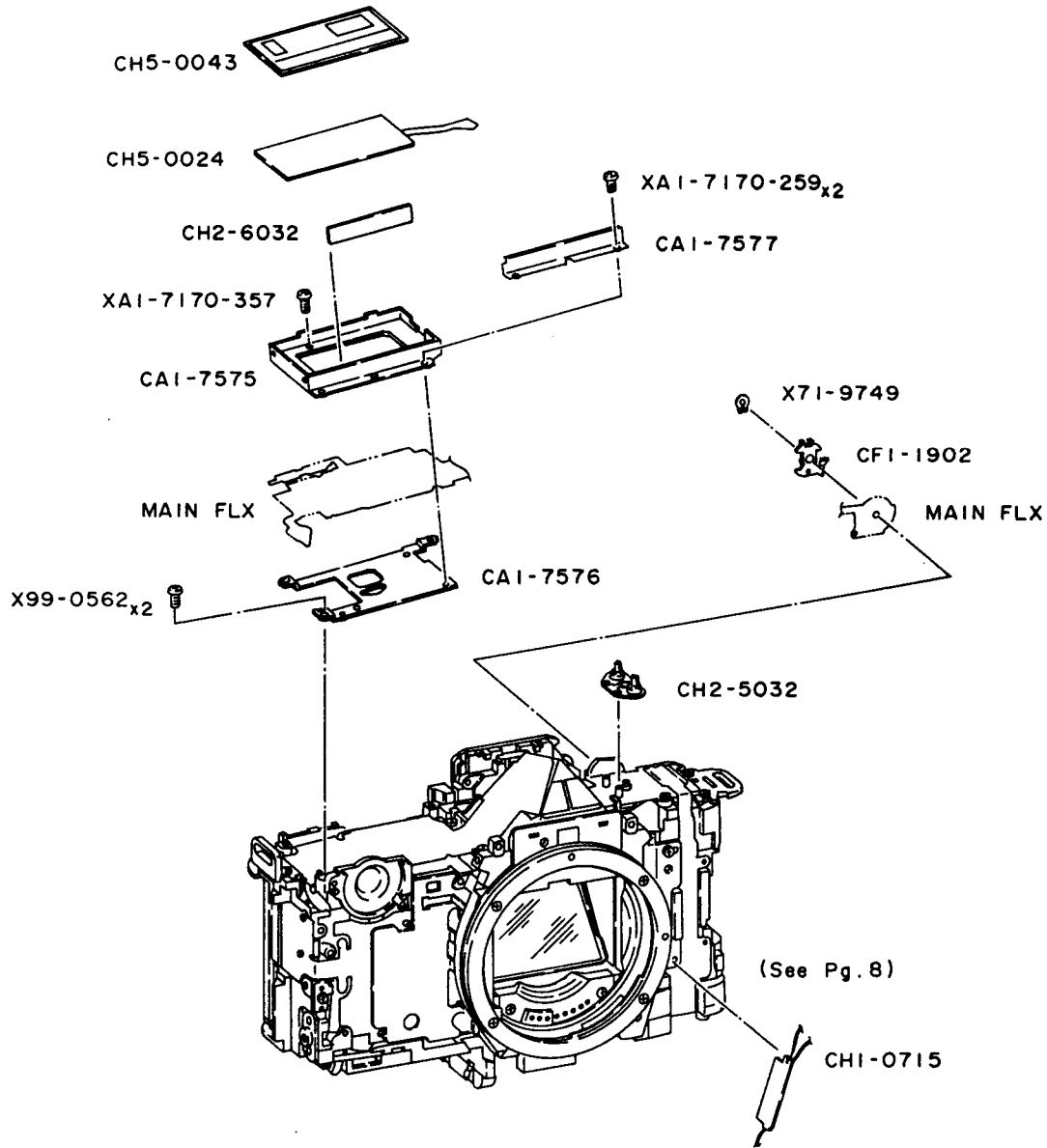
PARTS LIST

REF.NO.C12-8081,2,4

NEW PARTS NO.	CLASS	QTY	DESCRIPTION
CA1-7535-000	D	1	CONTACT, DIAL
CA1-7605-000	E	1	DIAL, MODE CHANGE
CA1-7606-000	D	1	RING, DIAL
CG9-2718-000	D	1	DIAL ASS'Y
CH1-0701-000	E	1	BOARD, CONTACT
CS2-5003-000(XXX)	E	1	SPRING, COIL
X91-1738-260		2	SCREW
X91-1738-410		1	SCREW
XG8-1100-581		1	BALL, STEEL

CANON EOS 630 METALLIC GRAY
EOS 630
EOS 600 METALLIC GRAY

REF. NO. C12-8081
C12-8082
C12-8084



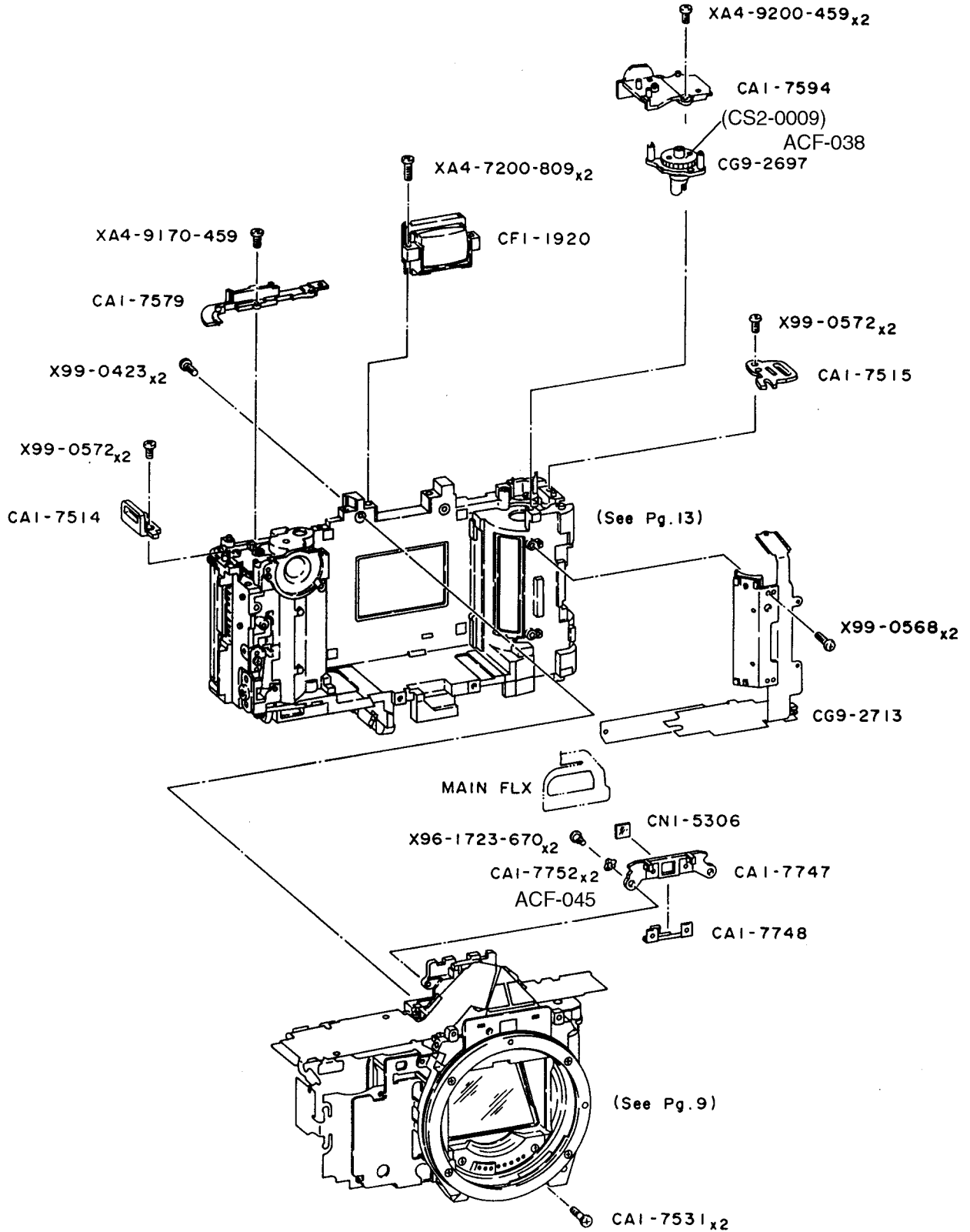
PARTS LIST

REF.NO.C12-8081,2,4

NEW PARTS NO.	CLASS	QTY	DESCRIPTION
CA1-7575-000	E	1	CASE, OLC
CA1-7576-000	E	1	BASE PLATE, OLC
CA1-7577-000	E	1	HOLDER, OLC
CF1-1902-000	D	1	CONTACT, MAIN SW
CH1-0715-000	E	1	SWITCH, MANUAL
CH2-5032-000	D	1	CONTACT, RUBBER
CH2-6032-000	D	1	CONNECTOR, OLC
CH5-0024-000	D	1	EL
CH5-0043-000	D	1	LCD, EXTERNAL
X71-9749-000		1	RETAINER
X99-0562-000		2	SCREW
XA1-7170-259		2	SCREW
XA1-7170-357		1	SCREW

CANON EOS 630 METALLIC GRAY
EOS 630
EOS 600 METALLIC GRAY

REF. NO. C12-8081
C12-8082
C12-8084



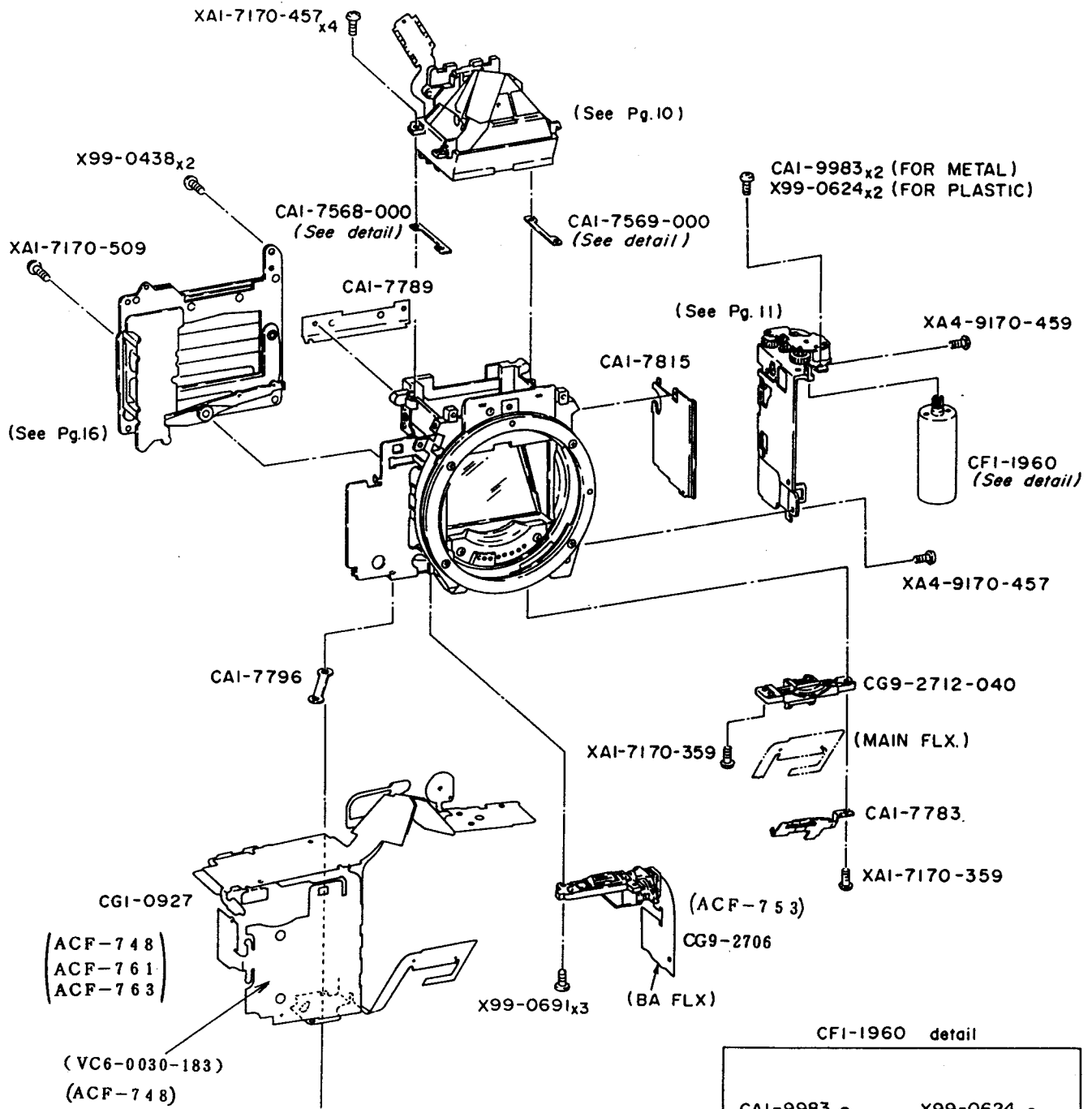
PARTS LIST

REF.NO.C12-8081,2,4

NEW PARTS NO.	CLASS	QTY	DESCRIPTION
CA1-7514-000	E	1	LUG, NECK STRAP
CA1-7515-000	E	1	LUG, NECK STRAP
CA1-7531-000	E	2	SCREW
CA1-7579-000	D	1	COVER
CA1-7594-000	E	1	PLATE
CA1-7747-000	E	1	CASE, AE SENSOR
CA1-7748-000	E	1	HOLDER, AE SENSOR
CA1-7752-000	E	2	WASHER, WAVE
CF1-1920-000	D	1	EYE PIECE
CG9-2697-000	E	1	REWIND MECH. ASS'Y
CG9-2713-000	D	1	SENSOR ASS'Y, DX
CN1-5306-000	E	1	FILTER, IR
CS2-0009-000	D	1	GEAR, REWINDING
X96-1723-670		2	SCREW
X99-0423-000		2	SCREW
X99-0568-000		2	SCREW
X99-0572-000		4	SCREW
XA4-7200-809		2	SCREW
XA4-9170-459		1	SCREW
XA4-9200-459		2	SCREW

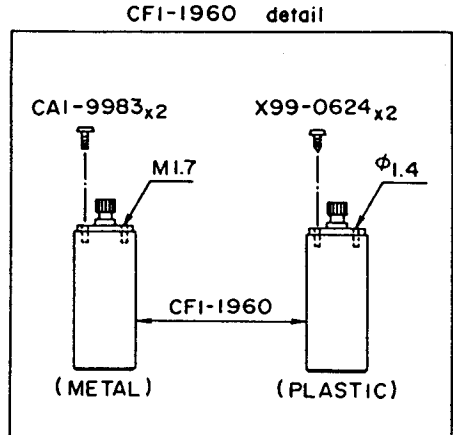
CANON EOS 630 METALLIC GRAY
 EOS 630
 EOS 600 METALLIC GRAY

REF. NO. C12-8081
 C12-8082
 C12-8084



CAI-7568-000
 CAI-7569-000 detail

A	SIZE
0.05 mm	(005)
0.10 mm	(010)
0.12 mm	(012)
0.15 mm	(015)
0.20 mm	(020)



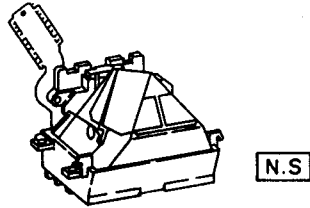
PARTS LIST

REF.NO.C12-8081,2,4

NEW PARTS NO.	CLASS	QTY	DESCRIPTION
CA1-7568-000(XXX)	E	1	WASHER, ADJUSTING
CA1-7569-000(XXX)	E	1	WASHER, ADJUSTING
CA1-7574-000	E	1	PLATE, CONNECTING
CA1-7783-000	E	1	HOLDER, FLASH SENSOR
CA1-7789-000	E	1	SHIELD, LIGHT
CA1-7796-000	E	1	BASE, CONNECTOR
CA1-7815-000	E	1	SHIELD, LIGHT
CA1-9983-000	E	2	SCREW
CF1-1960-000	D	1	MOTOR, REWINDING
CG1-0927-000	E	1	P.C.B, MAIN
CG9-2706-000	E	1	AF UNIT
CG9-2712-040	E	1	SENSOR ASS'Y, FLASH
VC6-0030-183	D	1	CAPACITOR, CERAMIC
X91-1738-140		2	SCREW
X99-0438-000		2	SCREW
X99-0624-000		2	SCREW
X99-0691-000		3	SCREW
XA1-7170-359		2	SCREW
XA1-7170-457		4	SCREW
XA1-7170-509		1	SCREW
XA4-9170-457		1	SCREW
XA4-9170-459		1	SCREW

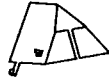
CANON EOS 630 METALLIC GRAY
 EOS 630
 EOS 600 METALLIC GRAY

REF. NO. C12-8081
 C12-8082
 C12-8084



CSI-6814_{x2}

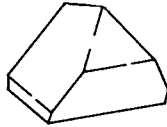
CAI-7754



CAI-7744



CNI-5383



CAI-5079-000
(See detail)

CAI-7743



X91-1737-380

CAI-7746

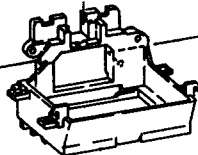
CYI-1304

CAI-7758

CNI-5301

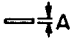


CNI-5386



CAI-7751

CAI-5079-000 detail

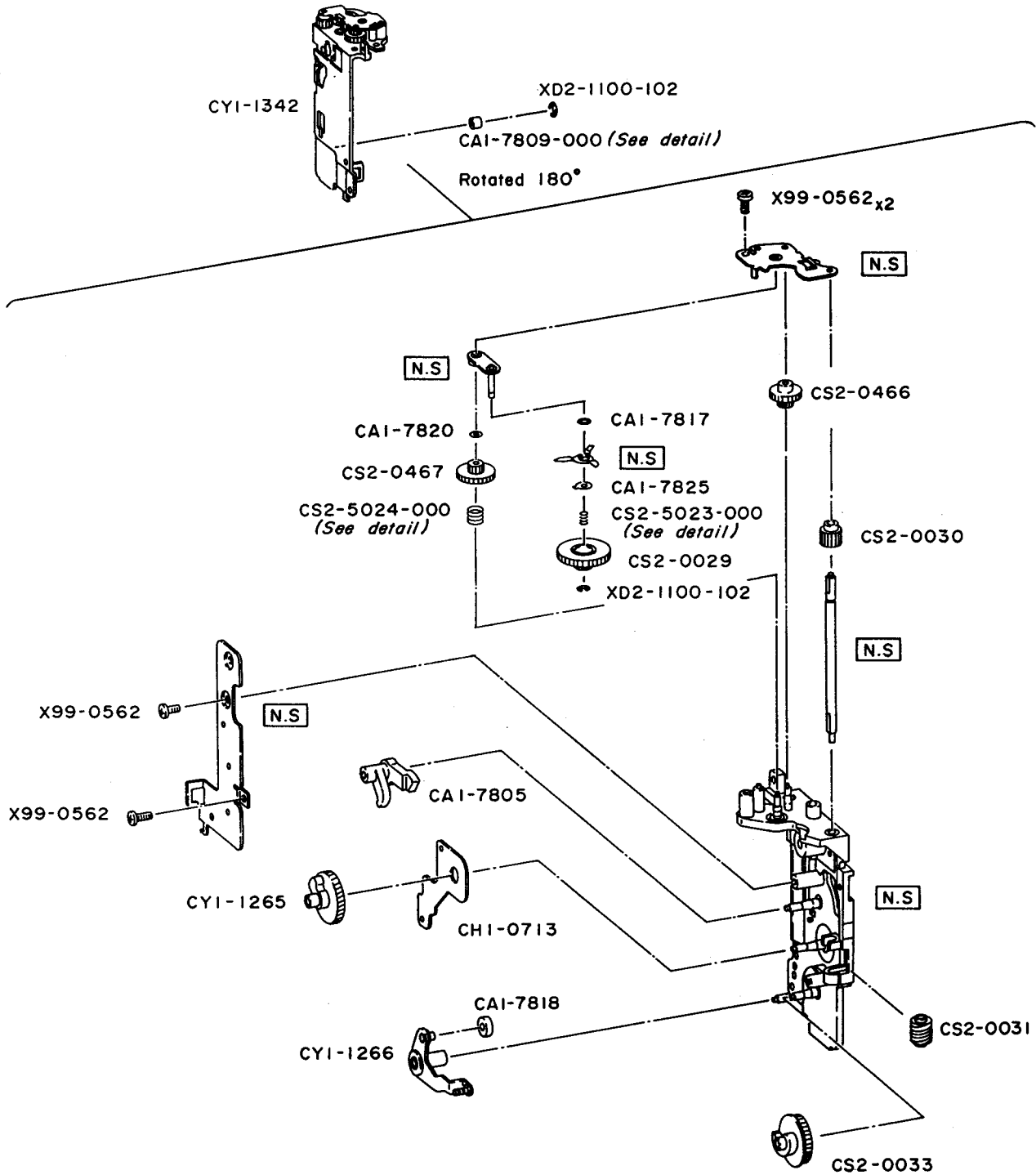
	A	SIZE
	0.10 mm	(010)
	0.30 mm	(030)
	0.50 mm	(050)

PARTS LIST

REF.NO.C12-8081,2,4

NEW PARTS NO.	CLASS	QTY	DESCRIPTION
CA1-5079-000(XXX)	D	1	SPACER
CA1-7743-000	E	1	MASK, FINDER
CA1-7744-000	E	1	COVER, PENTAPRISM
CA1-7746-000	E	1	SPRING
CA1-7751-000	E	1	BOX, PENTAPRISM
CA1-7754-000	E	1	HOLDER, PENTAPRISM
CA1-7758-000	E	1	SHIELD, LIGHT
CN1-5301-000	E	1	LENS, PARTIAL METERING
CN1-5383-000	D	1	PENTAPRISM
CN1-5386-000	D	1	PRISM, ILC INFORMATION
CS1-6814-000	E	2	SPRING
CY1-1304-000	E	1	ILC ASS'Y, INTERNAL
X91-1737-380		1	SCREW

CANON EOS 630 METALLIC GRAY
EOS 630
EOS 600 METALLIC GRAY



CAI-7809-000 detail

A	SIZE
2.00 mm	(200)
2.20 mm	(220)
2.40 mm	(240)
2.60 mm	(260)
2.80 mm	(280)
3.00 mm	(300)
3.20 mm	(320)
3.40 mm	(340)

CS2-5023-000 detail

A	d	SIZE
4.2 mm	φ0.26 mm	(010)
3.6 mm	φ0.29 mm	(020)
3.8 mm	φ0.29 mm	(030)
3.6 mm	φ0.32 mm	(040)
3.8 mm	φ0.32 mm	(050)

CS2-5024-000 detail

A	SIZE
2.8 mm	(280)
3.4 mm	(340)
3.9 mm	(390)

PARTS LIST

REF.NO.C12-8081,2,4

NEW PARTS NO.	CLASS	QTY	DESCRIPTION
CA1-7805-000	D	1	LEVER, MIRROR UP-DOWN
CA1-7809-000	E	1	COLLAR, SHUTTER CHARGE LEVER
CA1-7817-000	E	1	WASHER
CA1-7818-000	D	1	COLLAR, SHUTTER CHARGE
CA1-7820-000	E	1	WASHER
CA1-7825-000	E	1	WASHER
CH1-0713-000	E	1	BOARD, CONTACT
CS2-0029-000	E	1	GEAR, PLANETARY-2
CS2-0030-000	E	1	GEAR, WIND-6
CS2-0031-000	E	1	GEAR, WORM
CS2-0033-000	E	1	GEAR, SHUTTER CHARGE
CS2-0466-000	E	1	GEAR, RW-1
CS2-0467-000	E	1	GEAR, SUN-2
CS2-5023-000(XXX)	E	1	SPRING, COIL
CS2-5024-000(XXX)	E	1	SPRING, COIL
CY1-1265-000	E	1	GEAR, MIRROR UP-DOWN
CY1-1266-000	D	1	LEVER, SHUTTER CHARGE
CY1-1342-000	E	1	REWIND MECH. ASS'Y
X99-0562-000		4	SCREW
XD2-1100-102		2	RING, E

CANON EOS 630 METALLIC GRAY
 EOS 630
 EOS 600 METALLIC GRAY

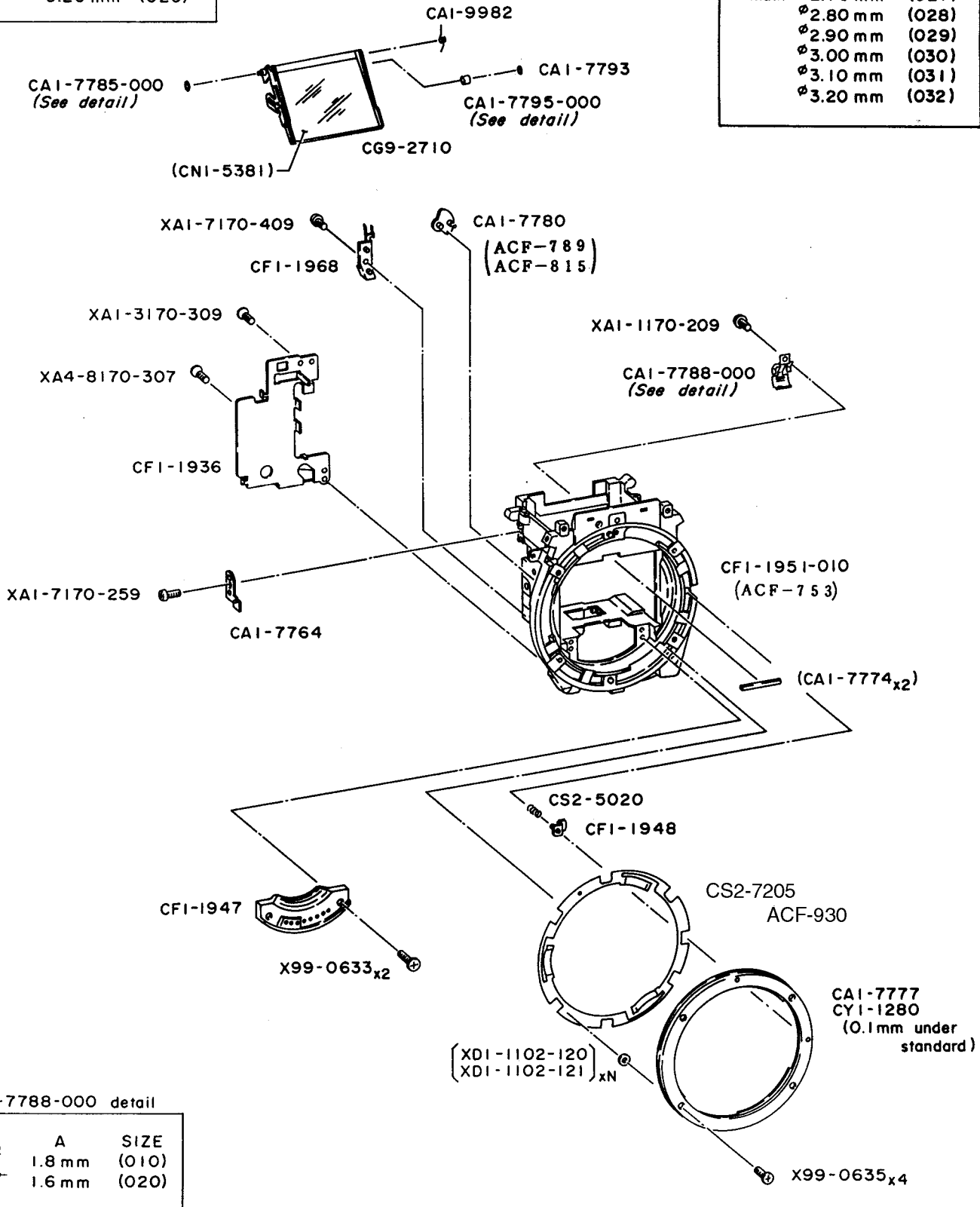
REF. NO. C12-8081
 C12-8082
 C12-8084

CAI-7785-000 detail

A	SIZE
0.10 mm (O10)	
0.15 mm (O15)	
0.20 mm (O20)	

CAI-7795-000 detail

A	SIZE
φ2.50 mm (O25)	
φ2.60 mm (O26)	
Main φ2.70 mm (O27)	
φ2.80 mm (O28)	
φ2.90 mm (O29)	
φ3.00 mm (O30)	
φ3.10 mm (O31)	
φ3.20 mm (O32)	



CAI-7788-000 detail

A	SIZE
1.8 mm (O10)	
1.6 mm (O20)	

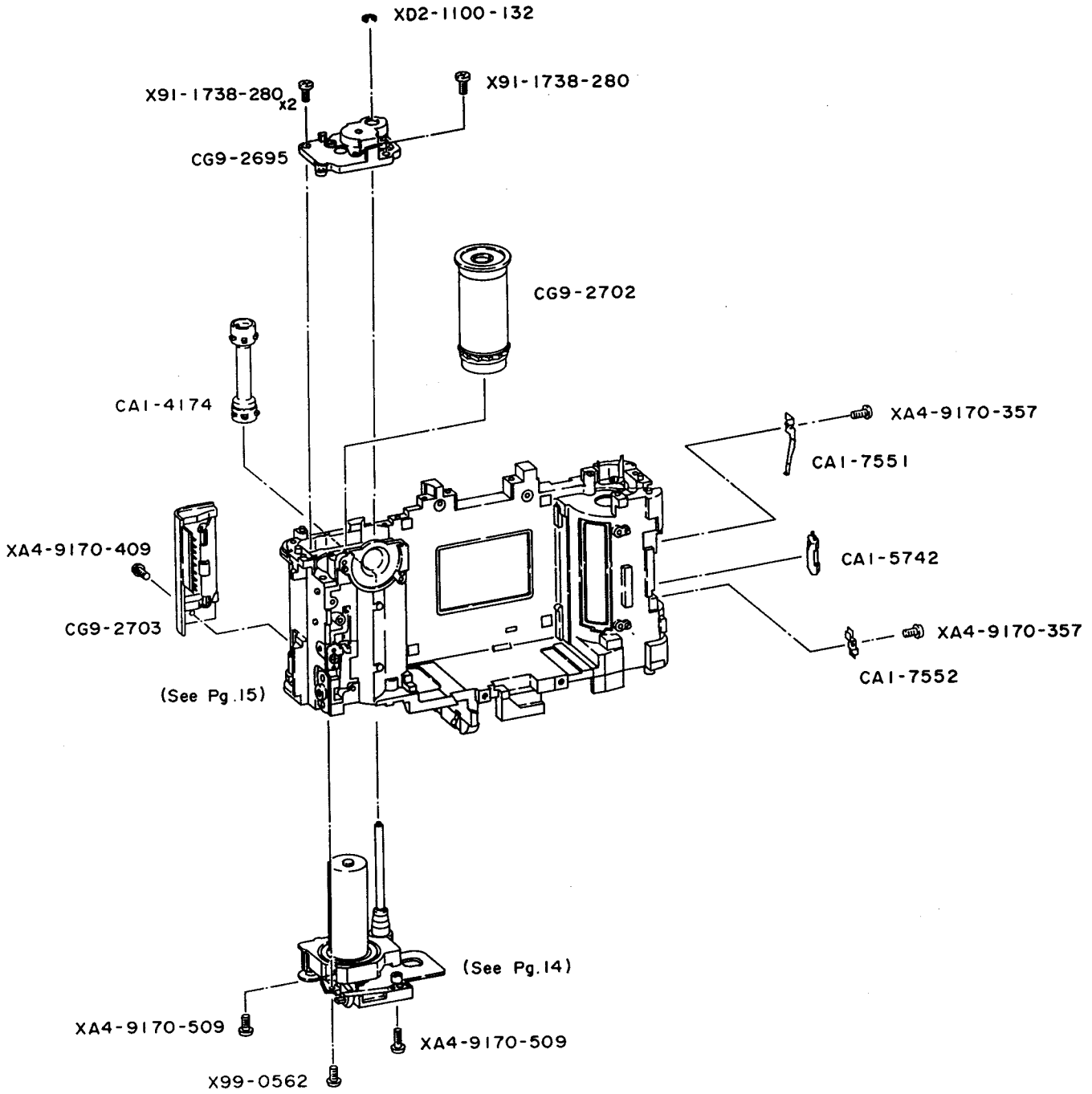
PARTS LIST

REF.NO.C12-8081,2,4

NEW PARTS NO.	CLASS	QTY	DESCRIPTION
CA1-7764-000	E	1	HINGE, MIRROR
CA1-7774-000	D	2	CUSHION
CA1-7777-000	C	1	MOUNT, BODY
CA1-7780-000	E	1	INTERLOCK, LENS MOTOR
CA1-7785-000	E	1	SPACER, MIRROR HINGE
CA1-7788-000	E	1	CATCH, FOCUSING SCREEN
CA1-7793-000	E	1	RING, C
CA1-7795-000	E	1	COLLAR, MIRROR UP
CA1-9982-000	E	1	SPRING
CF1-1936-000	E	1	WING
CF1-1947-000	E	1	CONTACT ASS'Y
CF1-1948-000	E	1	LEVER, LENS LOCK
CF1-1951-000	E	1	PANEL, FRONT
CF1-1968-000	E	1	CONTACT, INTERLOCK
CG9-2710-000	D	1	MIRROR ASS'Y
CN1-5381-000	D	1	MIRROR
CS2-5020-000	E	1	SPRING, COIL
CS2-7205-000	D	1	SPRING, MOUNT
CY1-1280-000	E	1	MOUNT, BODY
X99-0633-000		2	SCREW
X99-0635-000		4	SCREW
XA1-1170-209	E	2	SCREW
XA1-3170-309		1	SCREW
XA1-7170-259		1	SCREW
XA1-7170-409		1	SCREW
XA4-8170-307		1	SCREW
XD1-1102-120		1	WASHER
XD1-1102-121		1	WASHER

CANON EOS 630 METALLIC GRAY
EOS 630
EOS 600 METALLIC GRAY

REF. NO. C12-8081
C12-8082
C12-8084



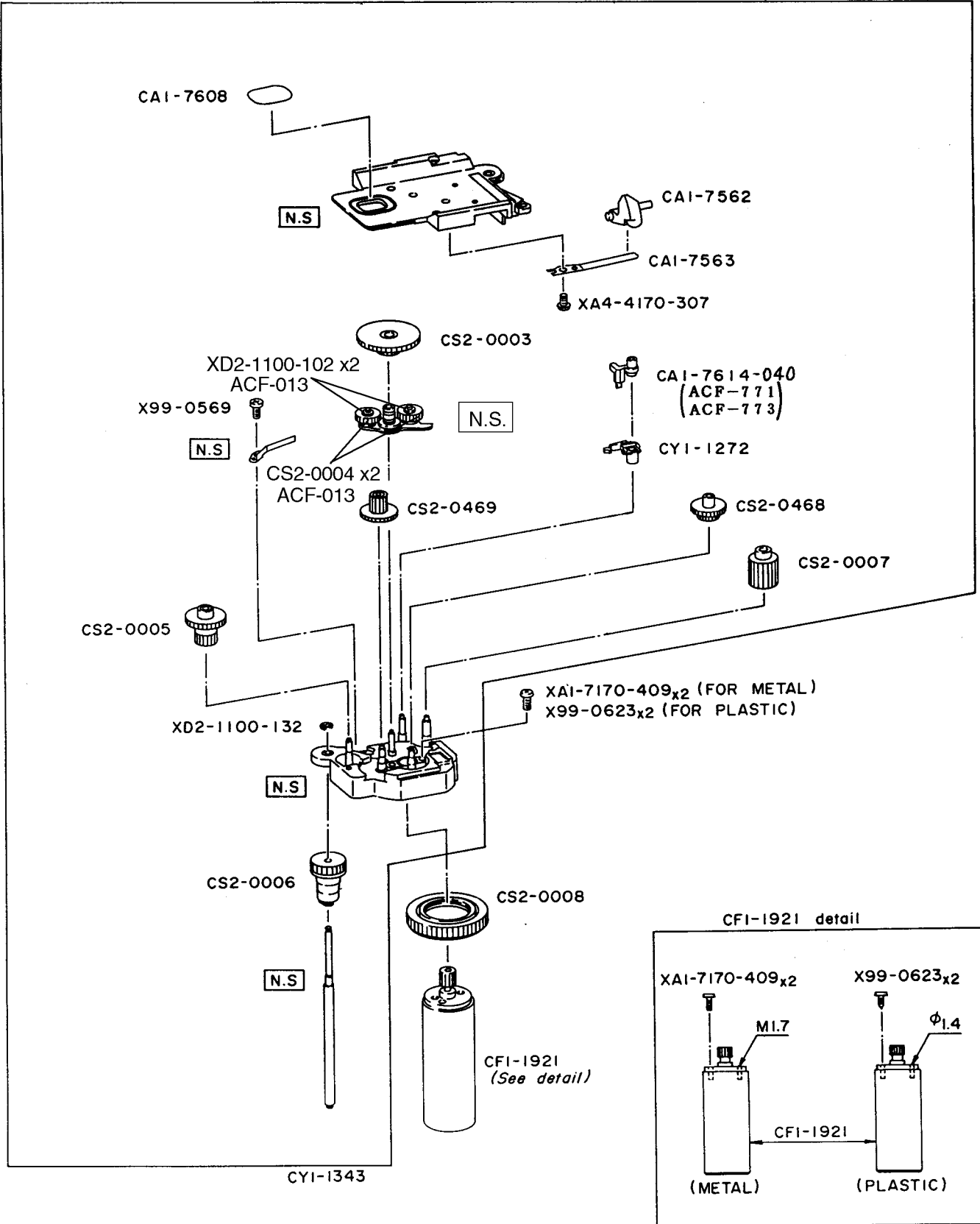
PARTS LIST

REF.NO.C12-8081,2,4

NEW PARTS NO.	CLASS	QTY	DESCRIPTION
CA1-4174-000	C	1	SPROKET
CA1-5742-000	E	1	LEVER, CASSETTE SWITCH
CA1-7551-000	E	1	CONTACT, FILM MAGAZINE
CA1-7552-000	E	1	CONTACT, (GND), FILM MAGAZINE
CG9-2695-000	D	1	BASE ASS'Y, MOTOR SIGNAL
CG9-2702-000	E	1	SPOOL ASS'Y
CG9-2703-000	D	1	HOLDER ASS'Y, ROLLER
X91-1738-280		3	SCREW
X99-0562-000		1	SCREW
XA4-9170-357		2	SCREW
XA4-9170-409		1	SCREW
XA4-9170-509		2	SCREW
XD2-1100-132		1	RING, E

CANON EOS 630 METALLIC GRAY
EOS 630
EOS 600 METALLIC GRAY

REF. NO. C12-8081
C12-8082
C12-8084



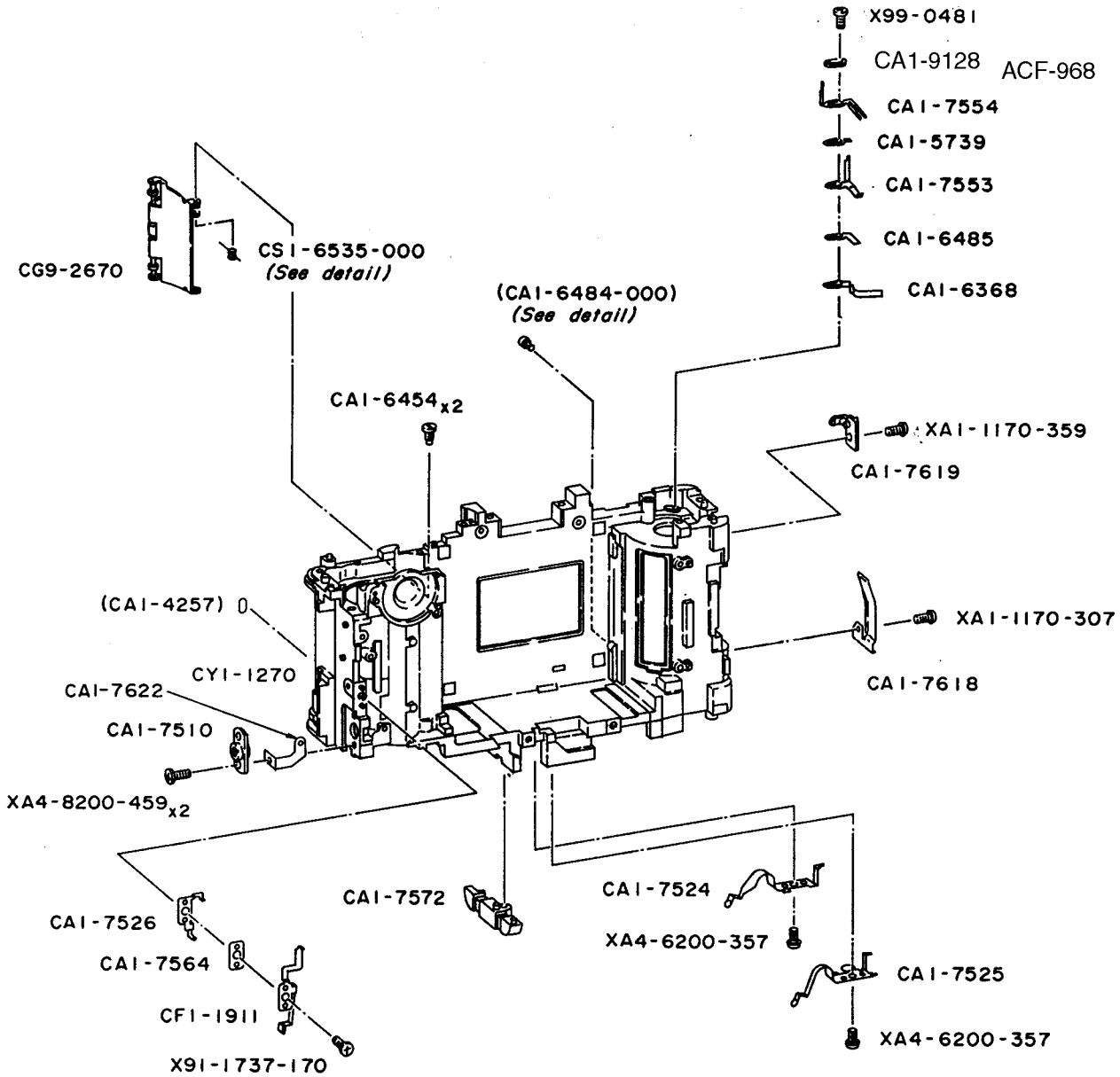
PARTS LIST

REF.NO.C12-8081,2,4

NEW PARTS NO.	CLASS	QTY	DESCRIPTION
CA1-7562-000	D	1	STOPPER, SAFETY
CA1-7563-000	E	1	SPRING, SAFETY STOPPER
CA1-7608-000	E	1	COVER
CA1-7614-040	D	1	LEVER, RELEASE
CF1-1921-000	D	1	MOTOR, WINDING
CS2-0003-000	E	1	GEAR, SUN-1
CS2-0004-000	C	2	GEAR, WINDING PLANETARY
CS2-0005-000	E	1	GEAR
CS2-0006-000	E	1	GEAR, WIND-4
CS2-0007-000	E	1	GEAR, WIND-5
CS2-0008-000	E	1	GEAR, SPOOL
CS2-0468-000	E	1	GEAR, WIND-1
CS2-0469-000	E	1	GEAR, WIND-2
CY1-1272-000	E	1	LEVER, HOLD
CY1-1343-000	E	1	WIND MECHA. ASS'Y
X99-0569-000		1	SCREW
X99-0623-000		2	SCREW
XA1-7170-409		2	SCREW
XA4-4170-307		1	SCREW
XD2-1100-102		2	RING, E
XD2-1100-132		1	RING, E

CANON EOS 630 METALLIC GRAY
 EOS 630
 EOS 600 METALLIC GRAY

REF. NO. C12-8081
 C12-8082
 C12-8084



CAI-6484-000 detail

A	SIZE
	ø 2.4 mm (024)
	ø 2.5 mm (025)
	ø 2.6 mm (026)

CSI-6535-000 detail

A	SIZE
	110° (110)
	115° (115)
	120° (120)

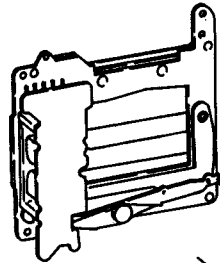
PARTS LIST

REF.NO.C12-8081,2,4

NEW PARTS NO.	CLASS	QTY	DESCRIPTION
CA1-4257-000	D	1	SEAL, FILM
CA1-5739-000	D	1	INSULATOR
CA1-6368-000	E	1	PLATE, SAFETY LOCK
CA1-6454-000	E	2	SCREW
CA1-6484-000(XXX)	E	1	SHAFT, FILM GUIDE
CA1-6485-000	E	1	INSULATOR
CA1-7510-000	E	1	SOCKET, GRIP
CA1-7524-000	E	1	CONTACT, BATTERY
CA1-7525-000	E	1	CONTACT, BATTERY
CA1-7526-000	E	1	CONTACT, RESET SW
CA1-7553-000	D	1	CONTACT, BACK COVER
CA1-7554-000	D	1	CONTACT, (GND), BACK COVER
CA1-7564-000	E	1	INSULATOR
CA1-7572-000	E	1	GUIDE, BATTERY CONTACT
CA1-7618-000	E	1	SPRING, PLATE
CA1-7619-000	E	1	HOLDER, CASSETTE
CA1-7622-000	D	1	PLATE, LUG
CA1-9128-000	D	1	SPACER
CF1-1911-000	E	1	CONTACT, RESET SW GND
CG9-2670-000	D	1	COVER ASS'Y, AL
CS1-6535-000(XXX)	E	1	SPRING
CY1-1270-000	E	1	BODY
X91-1737-170		1	SCREW
X99-0481-000		1	SCREW
XA1-1170-307		1	SCREW
XA1-1170-359		1	SCREW
XA4-6200-357		2	SCREW
XA4-8200-459		2	SCREW

CANON EOS 630 METALLIC GRAY
EOS 630
EOS 600 METALLIC GRAY

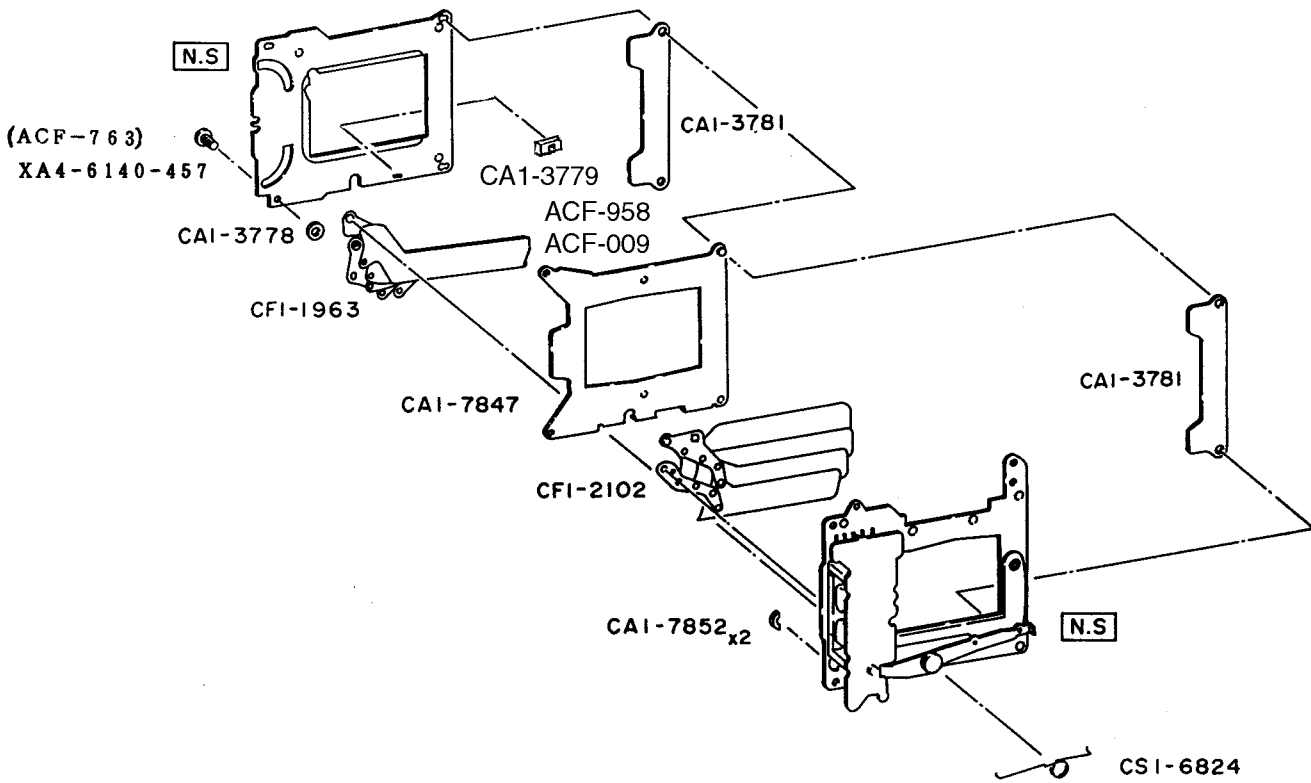
REF. NO. C12-8081
C12-8082
C12-8084



CGI-0406

ACF-780

ACF-009

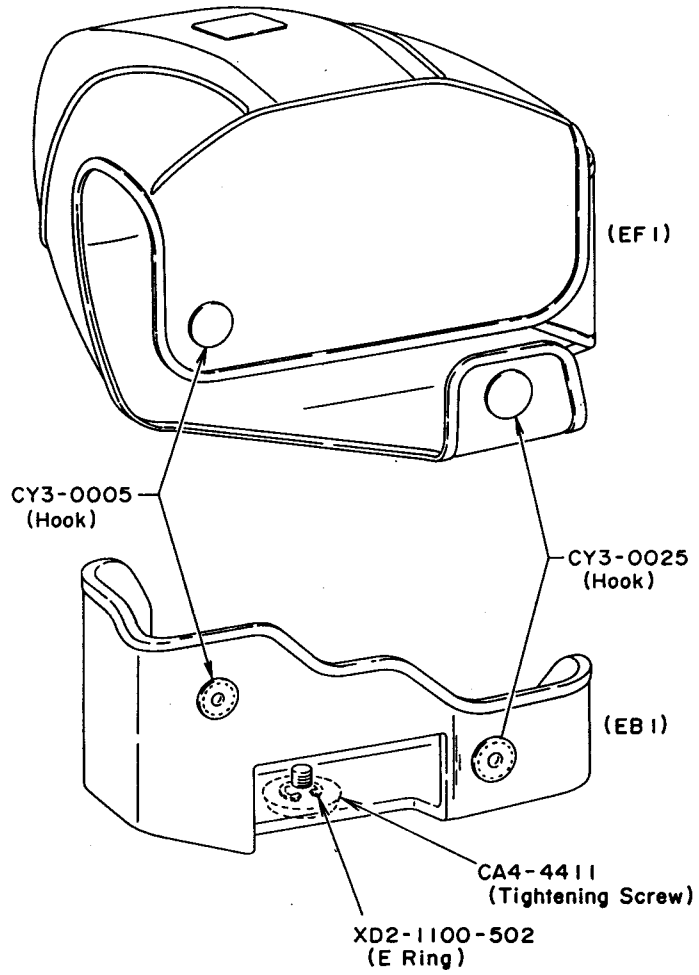


PARTS LIST

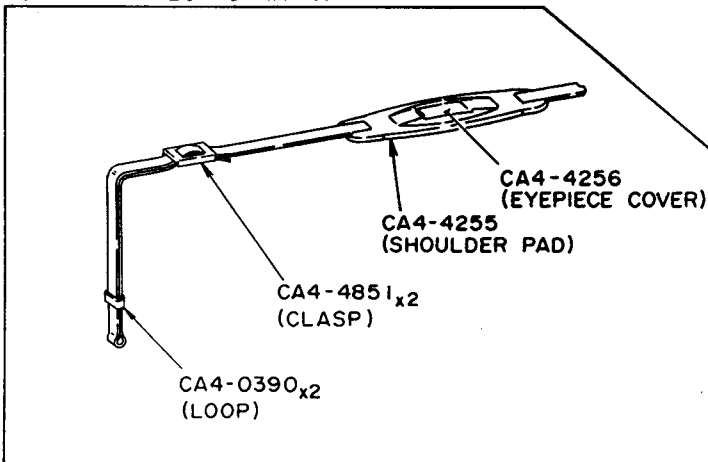
REF.NO.C12-8081,2,4

NEW PARTS NO.	CLASS	QTY	DESCRIPTION
CA1-3778-000	E	1	RUBBER, STOPPER-A
CA1-3779-000	E	1	RUBBER, STOPPER-B
CA1-3781-000	E	2	SPACER
CA1-7847-000	E	1	PLATE, SEPARATOR
CA1-7852-000	E	2	STOPPER
CF1-1963-000	C	1	CURTAIN, SHUTTER
CF1-2102-000	C	1	CURTAIN, SHUTTER
CG1-0406-000	E	1	SHUTTER UNIT
CS1-6824-000	E	1	SPRING
XA4-6140-457	E	1	SCREW

CANON SEMI HARD CASE EH I



C56-1291 NECK STRAP 17



ELECTRIC PARTS LIST

REF.NO.C12-8081,2,4

NEW SYMBOL	PARTS NO.	CLASS	QTY	DESCRIPTION	REMARK
IC-1	CH4-0211-000	D	1	IC	LC4021
IC-2	AH8-3002-000	E	1	IC	LC4060
IC-3	CH4-0397-000	E	1	IC	SN28898E
IC-4	CH4-0396-000	E	1	IC	MC68HC11E9
IC-5	CH4-0207-000	D	1	IC	T1749AF
IC-6	CH4-0204-000	D	1	IC	MN6704
IC-8	CH4-0218-000	D	1	IC	MPC1710
IC-9	CH4-0218-000	D	1	IC	MPC1710
IC-10	CH4-0213-000	D	1	IC	SFX10
IC-12	WA3-3592-000	E	1	IC	HCMC74HC00F
Tr1	CH4-0124-000		1	IC	HS5143
Tr2	CH4-0214-000		1	CMOS IC	HS5143
DC/DC	CH3-0027-000	D	1	TRANSISTOR	
LCD1	CH5-0043-000	D	1	LCD, EXTERNAL	
LCD2	CY1-1304-000		1	INTERNAL LCD ASS'Y	
EL	CH5-0024-000		1	EL	
XTAL	WK2-0188-000	E	1	CRISTAL	32.768
FAR12M	WK2-0541-000	D	2	OSCILLATOR, FAR	12MHZ
	CH2-2422-000			LEAD(BLACK)	
	CH2-2423-000			LEAD(RED)	
	CH2-3078-000			LEAD, SHIELDED	
	Y11-3402-000			LEAD(BLACK)	
	Y11-3403-000			LEAD(RED)	
	Y11-3702-000			LEAD(BLACK)	
	Y11-3703-000			LEAD(RED)	
	Y11-3706-000			LEAD(ORANGE)	
	Y11-3707-000			LEAD(YELLOW)	
	Y11-3711-000			LEAD(BLUE)	
	Y11-3901-000			LEAD(WHITE)	
	Y11-3902-000			LEAD(BLACK)	
	Y11-3904-000			LEAD(PINK)	
	Y11-3906-000			LEAD(ORANGE)	
	Y11-3907-000			LEAD(YELLOW)	
	Y11-3909-000			LEAD(GREEN)	
	Y11-3911-000			LEAD(BLUE)	
	Y11-3912-000			LEAD(PURPLE)	
	Y11-3913-000			LEAD(BROWN)	
	Y11-4902-000			LEAD(BLACK)	
	Y11-4903-000			LEAD(RED)	
	Y11-5002-000			LEAD(BLACK)	
	Y11-5003-000			LEAD(RED)	
	VC6-0030-183			CAPACITOR, CERAMIC	